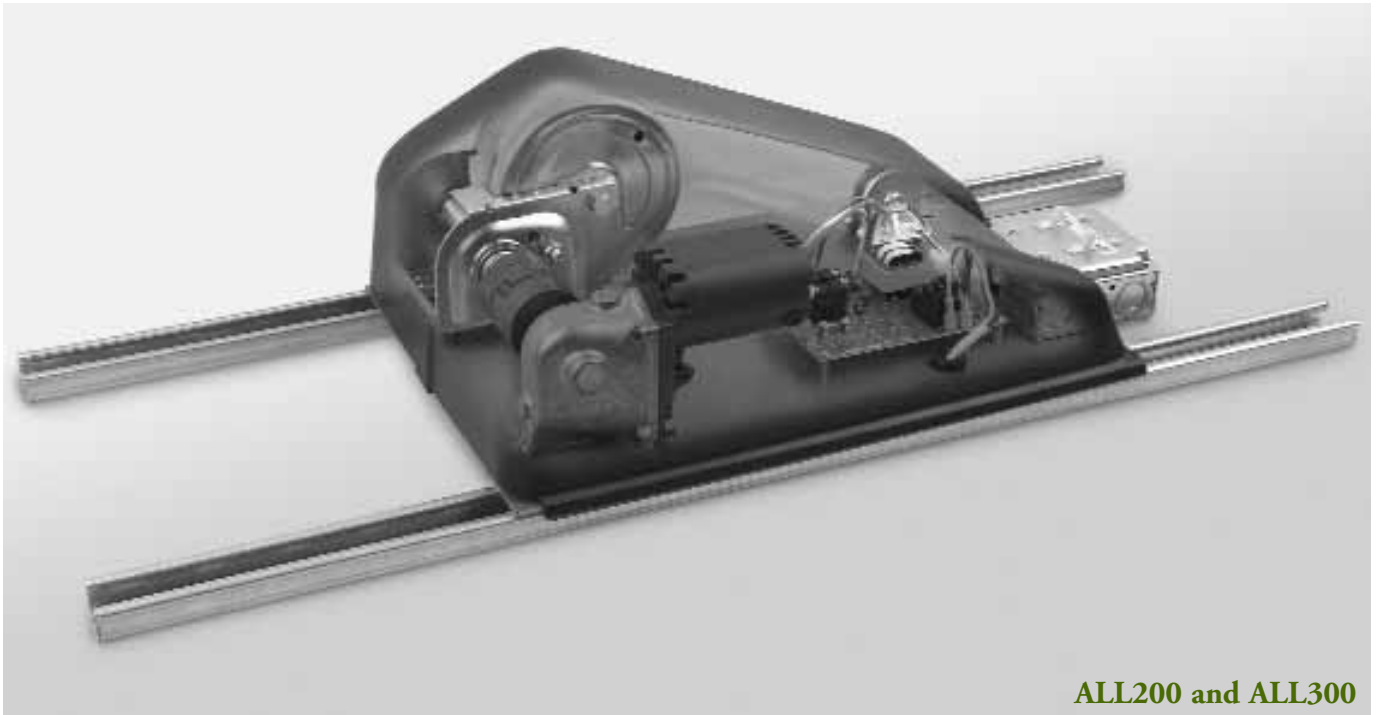


INSTALLATION GUIDE: STANDARD INSTALLATION

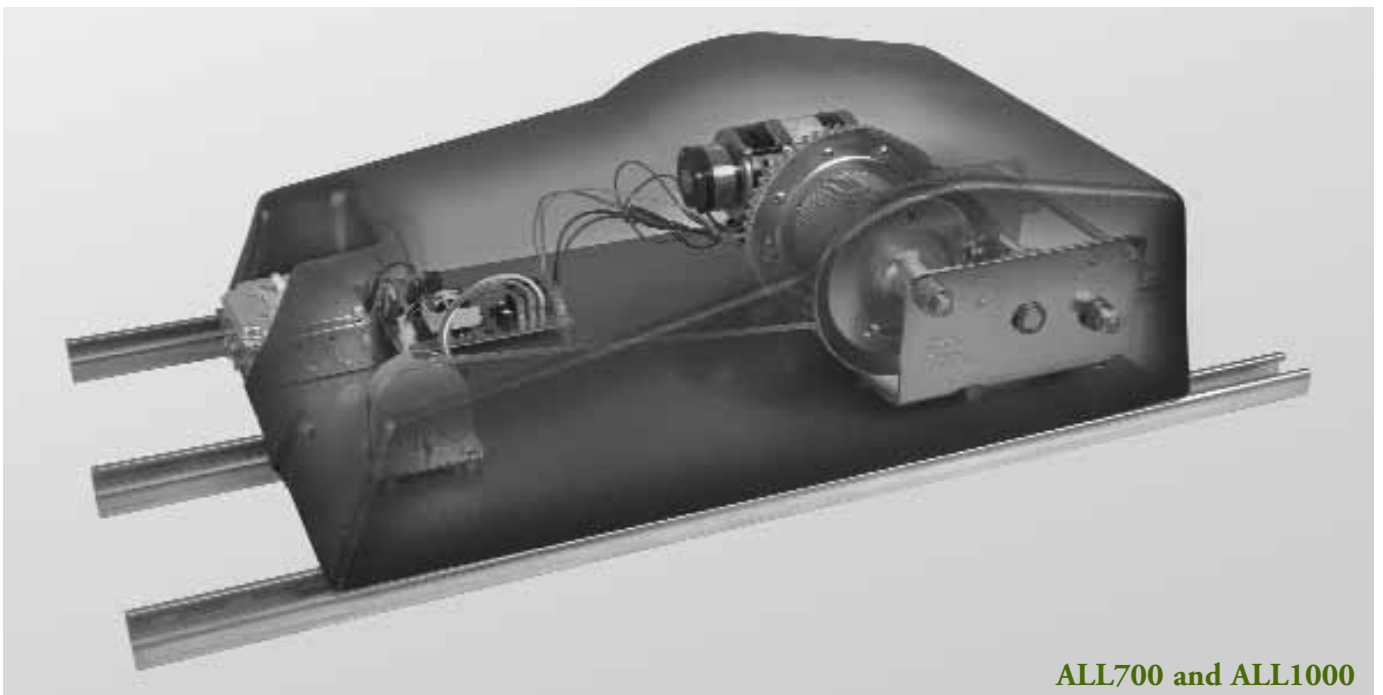
If this installation guide is needed in Spanish or French, contact Aladdin Light Lift at (877) 287-4601.

Always disconnect the power when servicing or performing maintenance to the light lift. Electricity can kill!

This installation guide is for STANDARD INSTALLATION Aladdin Light Lifts that mount in accessible locations directly above the chandelier. If the light lift contains a remote mounting option, refer to the REMOTE INSTALLATION guide (page 21).



ALL200 and ALL300



ALL700 and ALL1000

GETTING STARTED:

1. Details regarding light wattage capacity and weight capacity of the light lift are marked on the inside cover of the owner's manual.
2. Study the 'Warnings and Safety Precautions page' in the owner's manual.
3. Read the installation instructions, study the drawings carefully, and study each part and step.
4. Make sure all needed parts are present. The standard light lift unit consists of channel strut, chassis plate, winch, motor, control board, pulley, winch cable, ceiling box, bottom contact plate, temporary weight, conduit assembly, fixture coupler, and wiring. The following items should also be included in the parts bag and Keyswitch/SmartLift Controller bag:



A. #10 x 1-1/4" Pan Phillips-Wood Screws



B. 3/16" x 1" Fender Washers



C. fixture coupler



D. jam nut



E. screw collar ring



F. thread lock



G. Keyswitch assembly



or H. SmartLift Controller assembly

INSTALLATION TIPS: STANDARD

- a. Wire the lights and motor on separate circuits. The motor draws minimal amperage so a dedicated circuit is not necessary, but should be separate from the lights.
- b. The winch cable must be centered in the ceiling box. Check the cable's position after chandelier is installed.
- c. Never operate motor without tension on the winch cable.
- d. Use the permanent screw collar loop furnished with the chandelier.
- e. Light lifts being installed in commercial applications must use Greenfield for the line voltage wiring. Remove the plastic cover if using in an air handling space.

- f. Aladdin Light Lift motors must be installed in accessible locations. Remote mounting options can be used for installations where the motor can not be mounted directly above the chandelier.
- g. Never install the light lift in ceilings with heights that exceed the winch cable length. The cable length is marked on the inside cover of the owner's manual.
- h. Never fully extend the winch cable from the light lift. If the light lift is continuously run down, the cable can fully extend and start back up again reversing itself on the winch. This will cause the disc brake to be inoperative and possibly cause the fixture to fall.
- i. There are a few ways to tell if the winch cable is reversed. The ALL200 and ALL300 leaves the factory with the cable rolling off of the top of the winch. The ALL700 and ALL1000 leaves the factory with the cable rolling off of the bottom of the winch. If the cable is opposite of this, the cable is reversed. Also, if the cable is reversed, the light lift will not shut down properly when the chandelier gets to the ceiling. If the light lift doesn't make a consistent clicking or ratcheting sound while running up, the cable is reversed. Contact Aladdin Light Lift immediately if any of these situations occur.
- j. If the light lift is not operating properly, have a licensed electrician follow the troubleshooting guide found in the owner's manual. Most of the time, the problem can be fixed by following the troubleshooting guide. If not, have an electrician contact technical support from the light lift in the attic with two jumper wires and a volt meter. Usually, the problem can be fixed over the phone. The toll free tech support line is (877) 287-4601.

OPERATION TIPS: STANDARD

- a. Turn the chandelier off at the light switch when operating an Aladdin Light Lift.
- b. If the Keyswitch is used, hold the key to the right to run the light lift down. Let go of the key when a desired elevation is reached. Turn and hold the key to the left to run the light lift up. If installed correctly, the light lift will shut off automatically when it reaches the ceiling. At this time it is safe to turn the chandelier back on.
- c. If using a SmartLift Controller, refer to the SmartLift Controller Guide in the owner's manual. See page 7.
- d. Never fully extend the winch cable from the light lift. If the light lift is continuously run down, the cable can fully extend and start back up again reversing itself on the winch. This will cause the disc brake to be inoperative and possibly cause the fixture to fall. The cable length is marked on the inside of the owner's manual.
- e. There are a few ways to tell if the winch cable is reversed. The ALL200 and ALL300 leaves the factory with the cable rolling off of the top of the winch. The ALL700 and ALL1000 leaves the factory with the cable rolling off of the bottom of the winch. If the cable is opposite of this, the cable is reversed. Also, if the cable is reversed, the light lift will not shut down properly when the chandelier gets to the ceiling. If the light lift doesn't make a consistent clicking or ratcheting sound while running up, the cable is reversed. Contact Aladdin Light Lift immediately if any of these situations occur.
- f. If the light lift is not operating properly, have a licensed electrician follow the troubleshooting guide found in the owner's manual. Most of the time, the light lift can be fixed by following the troubleshooting guide. If not, have an electrician contact technical support from the light lift in the attic with two jumper wires and a volt meter. Most of the time, the light lift can be fixed over the phone. Our toll free tech support line is (877) 287-4601.

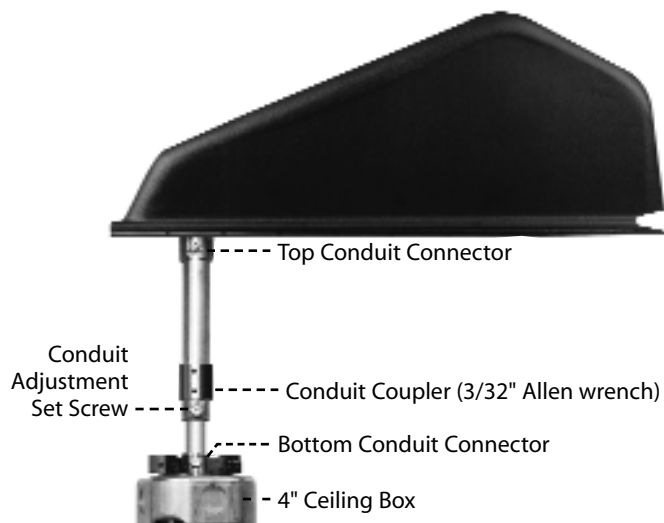
STEP 1-STANDARD INSTALLATION

1. Take the light lift out of the box and remove the cover.
2. Determine where the light lift will sit on the joists directly above where the chandelier will hang.
3. If joist interferes where the chandelier will hang, see SPECIAL SITUATIONS: STANDARD INSTALLATION 'B' (page 17).

STEP 2-STANDARD INSTALLATION

1. If an existing ceiling box is present, it must be removed. Only use the ceiling box provided with the light lift.
2. Cut a 4 1/2" hole in the ceiling for the ceiling box. If you removed an existing ceiling box, the hole may need to be enlarged.
3. Attach the top of the conduit assembly into the conduit connector and tighten the set screw. The connector is underneath the pulley on the light lift.
4. Attach the bottom of the conduit assembly to the ceiling box and tighten the set screw.

Diagram A



IMPORTANT: The ceiling box should not touch the inside of the 4 1/2" hole in the ceiling. The ceiling box does not support any weight of the chandelier. The tension is on the winch cable. The conduit assembly can be adjusted later to accommodate for different canopy depths. The set screw in the conduit coupler must be secure for the automatic shutoff system to work. Use the 3/32" Allen wrench for adjustments.

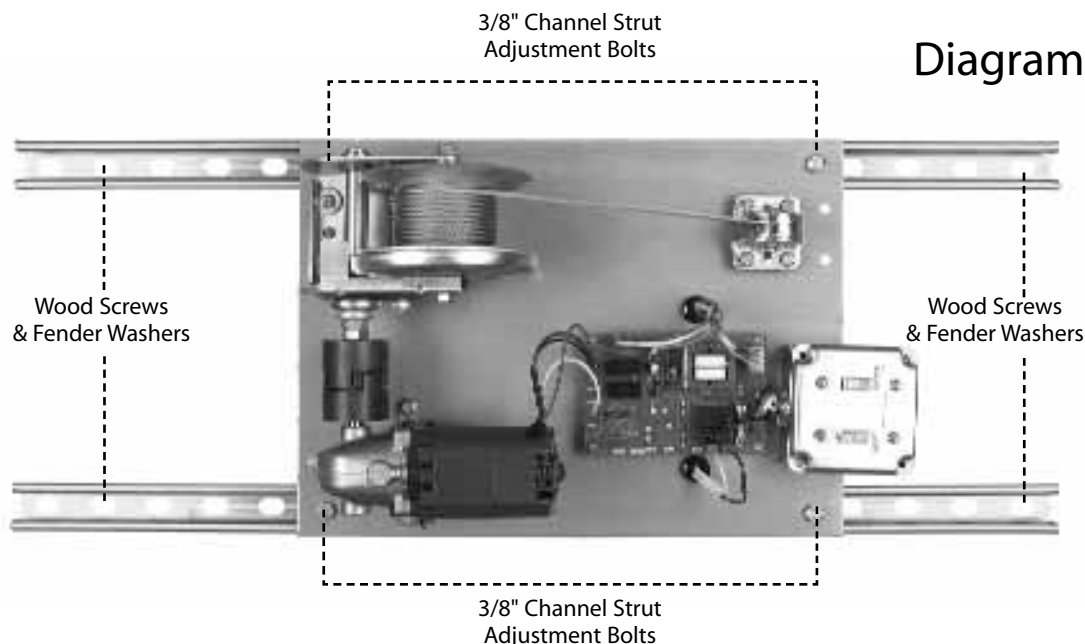


Diagram B

STEP 3-STANDARD INSTALLATION

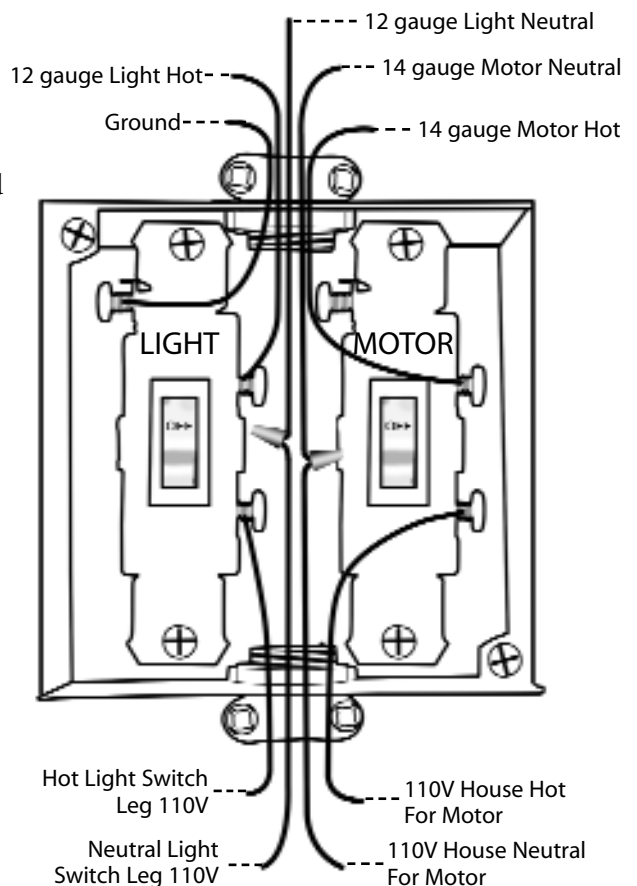
1. Mount the light lift LEVEL, spanning across the ceiling joists directly above where the chandelier will hang. The pulley assembly on the light lift designates where the winch cable will exit through the ceiling box.
 2. The light lift has bolts that hold it to the channel strut. These bolts may be loosened for channel strut adjustments. Do not forget to retighten the bolts if this adjustment was made.
 3. Secure the channel strut to the ceiling joists using the wood screws and washers in the parts bag supplied with the light lift.
 4. Loosen the set screw on the 1/2" end of the conduit coupler using the 3/32" Allen wrench. Adjust the ceiling box up or down and retighten the set screw to make it flush with the ceiling. This is a good starting point before hanging the chandelier.
- Note:** The conduit assembly is made up of a 3/4" and 1/2" conduit held together by a conduit coupler. The two pieces of conduit are telescopic.
5. If the conduit is either too long or too short after adjusting, see SPECIAL SITUATIONS: STANDARD INSTALLATION 'C' (page 17).
 6. Just because the light lift is mounted level, does not mean the winch cable is hanging through the center of the ceiling box. From the floor level, check the cable's position in the ceiling box. It should hang through the center of the top contact plate which is attached to the ceiling box. If the cable is not centered, the light lift will not shut off properly when the chandelier reaches the ceiling. Use flat washers to shim one side or the other of the light lift's channel strut until cable hangs through the center of the ceiling box. Check cable position again, later, when chandelier is hung.

STEP 4-STANDARD INSTALLATION

1. Wire the motor switch in the square box with 110V house wiring. The 14 gauge wiring in the square box is for the motor. This circuit does not have to be dedicated but must be separate from the light switch leg. The motor draws 1 amp on the ALL200, ALL300 and ALL1000 and draws 2.5 amps on the ALL700.
2. Wire the light switch in the square box with the 110V light switch leg. The 12 gauge wiring in the square box is for the lights. A two circuit light package will require two hot leads and one neutral.
3. If using a dimmer switch, wire it in line with the light switch leg. Any dimmer can be used with the light lift as long as the motor feed is kept separate from the light switch leg.

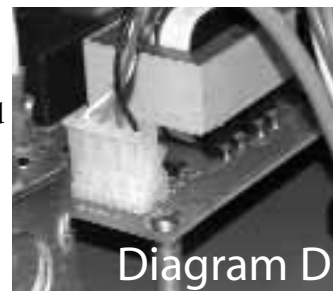
IMPORTANT: Keep the neutral wires separate in the square box.

Diagram C



STEP 5-STANDARD INSTALLATION

1. Make sure there is tension on the winch cable. The five pound weight provided with the lift is sufficient for this test.
2. Remove the paper tape from the winch. This tape was applied to keep the winch cable neat on the winch during manufacturing and shipping.
3. Make sure the cable is not kinked or coming off the side of the winch spool.
4. Turn on motor switch in the square box on the front of the lift.
5. Remove the low voltage control wire from the front of the control board. Use a jumper wire on the exposed pins to test the light lift in both directions. Jumper between the COM and DOWN pins to test the down direction and COM and UP pins to test the up direction. See diagram D.
6. Proceed to STEP 6 if the light lift runs in both directions. If not, refer to the troubleshooting section of the owner's manual on page 37 and 38.



STEP 6-STANDARD INSTALLATION

1. After testing the light lift, plug the low voltage control wire back onto the control board and reattach the light lift's cover.
2. Run the 50' low voltage control wire to a single gang box for the Keyswitch or optional SmartLift Controller. This can be on the floor level or on a landing. The chandelier must be visible from this location.
3. If a Keyswitch is being used, attach it to the cover plate using the supplied nut. Plug the Keyswitch or SmartLift Controller to the control wire that was pulled through the single gang box. Use the supplied cover plate screws to attach Keyswitch or SmartLift Controller to the gang box.
4. If using a Keyswitch, test the light lift in both directions. First turn the key to the right to run down a few inches. Then turn left to run up until the light lift turns itself off at the ceiling. Allow 2 seconds after operating the light lift in one direction before operating in the other.
5. If using a SmartLift Controller, see the SmartLift Controller Guide to run the light lift to the HOME POSITION. See page 7.

IMPORTANT: If the light lift installation takes place before the ceiling has been painted, leave the light lift in the "UP" position. This will prevent paint from getting on the top contact plate. A painted contact plate will not allow the chandelier to light.

STEP 7-STANDARD INSTALLATION

1. Using either the Keyswitch or the SmartLift Controller, run the light lift down to a desired elevation to hang the chandelier. Remember, if a SmartLift Controller is being used, the controller must be enabled before running the light lift. See the SmartLift Controller Guide in the owner's manual on page 7.

2. Remove the temporary five pound weight from the fixture coupler. Hold the winch cable to keep tension at all times. Do not operate the light lift without the chandelier or the temporary five pound weight attached.
3. Thread the screw collar loop that was supplied with the chandelier to the fixture coupler. If using a stem hung chandelier, simply thread the stem into the fixture coupler. For the ALL200 and ALL300, a 1/4 x 1/4 IPS fixture coupler is attached to the bottom contact plate. If a 1/4 x 3/8 IPS fixture coupler is needed, one is present in the parts bag. For the ALL700 and ALL1000, a 3/8 x 3/8 IPS fixture coupler is attached to the bottom contact plate. If a 3/8 x 1/2 IPS fixture coupler is needed, one is present in the parts bag.
4. Attach the chandelier's canopy to the screw collar loop using screw collar rings on both top and bottom. An extra screw collar ring is supplied in the parts bag.
5. Adjust the chandelier's chain to the desired length and attach it to the screw collar loop.
6. The top of the canopy should be just below the edge of the bottom contact plate. For shallow canopies, it may be necessary to shorten the nipple that attaches the screw collar loop to the fixture coupler. It maybe necessary to adjust the elevation of the ceiling box to flush the canopy to the ceiling. Use the set screw on the conduit coupler to adjust elevation. Also, a ceiling medallion can be used to build in more depth.
7. Once the canopy orientation is finalized, loosen the bottom screw collar ring.
8. Run the chandelier's wires up through the screw collar ring, canopy, and screw collar loop. Pull them through the holes in the fixture coupler and wire nut them to the wires on the bottom contact plate. Wire the chandelier's hot wire to the black wire, the neutral wire to the white wire, and the ground wire to the green wire.
9. If the chandelier is wired for two circuits, attach the remaining hot wire to the red wire.
10. Replace the canopy and rethread the bottom screw collar ring to hold the canopy in place.
11. Once everything is set in place, use the 3/32" Allen wrench to tighten the set screws on the fixture coupler. These set screws have thread lock already applied at the factory.

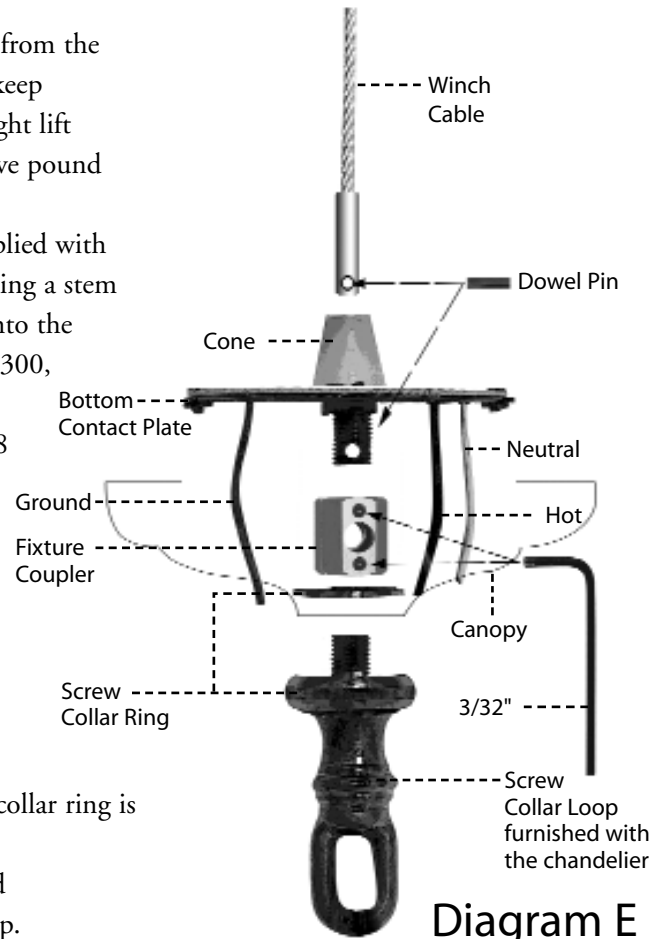


Diagram E



12. Once the set screws are tightened, apply the supplied thread lock to all of the fittings from the bottom contact plate to the screw collar loop.

IMPORTANT: Some screw collar loops are made out of weak materials and not designed to hold substantial amounts of weight. If the screw collar loop supplied with the chandelier is not used, make sure the one used is suitable.

IMPORTANT: Make sure the canopy will not touch the ceiling before the contact plates join together.

STEP 8-STANDARD INSTALLATION

1. Run the chandelier to the ceiling and enjoy!
2. Take comfort in the fact that when a bulb is out or the chandelier needs a little cleaning, just lower it using the Aladdin Light Lift.

SPECIAL SITUATIONS: STANDARD INSTALLATION

Special situations may come up during the light lift installation. The following instructions show some of these situations and how to handle them.

A. DOWEL PIN, WINCH CABLE, BOTTOM CONTACT PLATE ASSEMBLY

Occasionally, a chandelier may hang in line with a ceiling joist, or the conduit assembly must be lengthened or shorted. This requires removing and reinstalling the temporary five pound weight, fixture coupler, bottom contact plate assembly, ceiling box, and conduit assembly from the end of the winch cable. To do this, the dowel pin must be removed from the end of the cable and bottom contact plate assembly.

The following directions explain how to do so safely:

1. Remove the temporary five pound weight from the fixture coupler.
2. Remove the fixture coupler from the nipple on the bottom contact plate.
3. A small dowel pin holds the end of the winch cable to the nipple on the bottom contact plate.
4. Remove the dowel pin to release the bottom contact plate, ceiling box, and conduit assembly. Make sure the large (tapered) end of the dowel pin comes out first.
5. If the light lift is being installed where the chandelier is hanging inline with a ceiling joist, see SPECIAL SITUATIONS: STANDARD INSTALLATION 'B.'

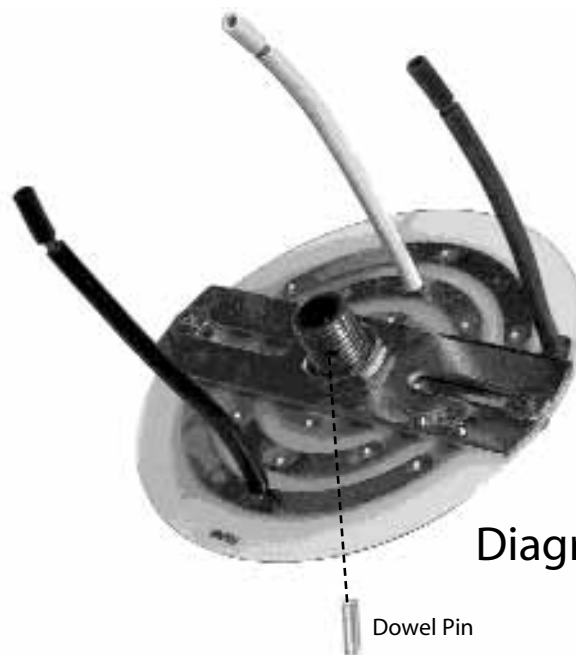


Diagram F

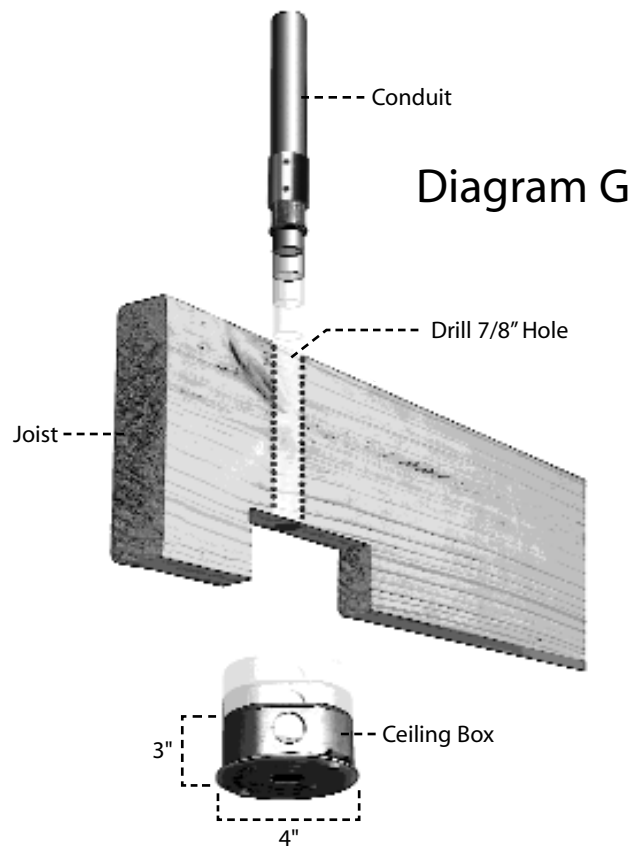
6. If a light lift is being installed where the conduit assembly must be extended or shortened, see SPECIAL SITUATIONS-STANDARD INSTALLATION 'C.'
7. Once completing either SPECIAL SITUATIONS: STANDARD INSTALLATION 'B' and/or 'C,' reinstall the conduit assembly, ceiling box, bottom contact plate assembly, fixture coupler, and temporary five pound weight.
8. Make sure the dowel pin is inserted with the small end (non-tapered) first and is flush with both sides of the nipple. Thread the fixture coupler over the dowel pin.

IMPORTANT: *If the dowel pin is lost during this process, DO NOT attempt to replace it with anything but another dowel pin from Aladdin Light Lift. (877) 287-4601*

B. CHANDELIER INLINE WITH A CEILING JOIST

Occasionally a light lift must be installed with the chandelier hanging in line with a ceiling joist. The following directions explain how to make this work with an Aladdin Light Lift:

1. Drill a 7/8" hole and notch out the bottom of the joist 3" for the ceiling box.
2. Run the smaller end of the conduit through the hole.
3. Frame up the light lift to account for the added height of the extended conduit.
4. To make this installation work, the dowel pin must be removed from the bottom contact plate. See SPECIAL SITUATIONS: STANDARD INSTALLATION 'A' for removing and replacing the dowel pin in the bottom contact plate.



C. LENGTHEN OR SHORTEN THE CONDUIT ASSEMBLY

The light lift comes standard with a conduit assembly that adjusts from 9 to 14 inches. This measurement is from the bottom of the chassis plate to the bottom of the ceiling box. Ceiling joists or another situation may require extending or shortening the conduit assembly. The following directions explain how to do so:

1. Measure the required length for the conduit assembly.
2. See SPECIAL SITUATIONS-STANDARD INSTALLATION 'A' and remove the temporary five pound weight, fixture coupler, bottom contact plate assembly, ceiling box, and conduit assembly from the end of the winch cable.
3. Replace the included conduit pieces with the newly cut conduit pieces but use the original conduit coupler.
4. See SPECIAL SITUATIONS-STANDARD INSTALLATION 'A' for reassembly.

