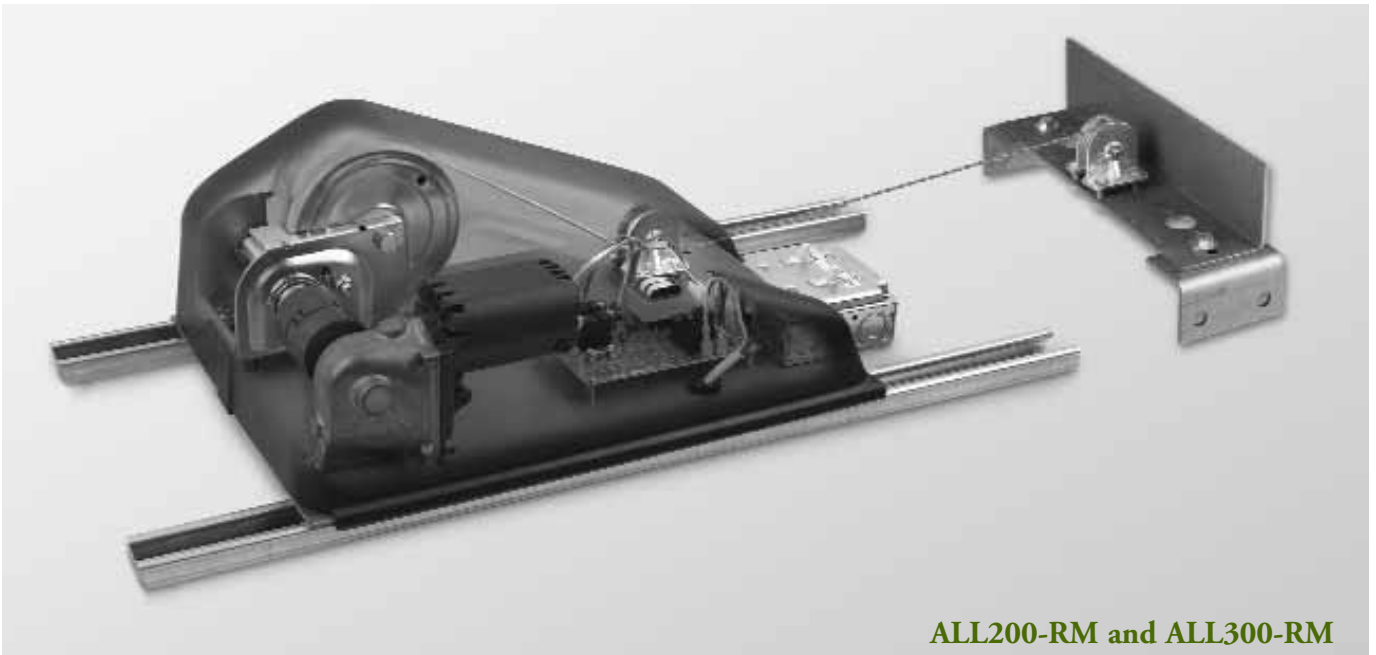


INSTALLATION GUIDE: REMOTE INSTALLATION

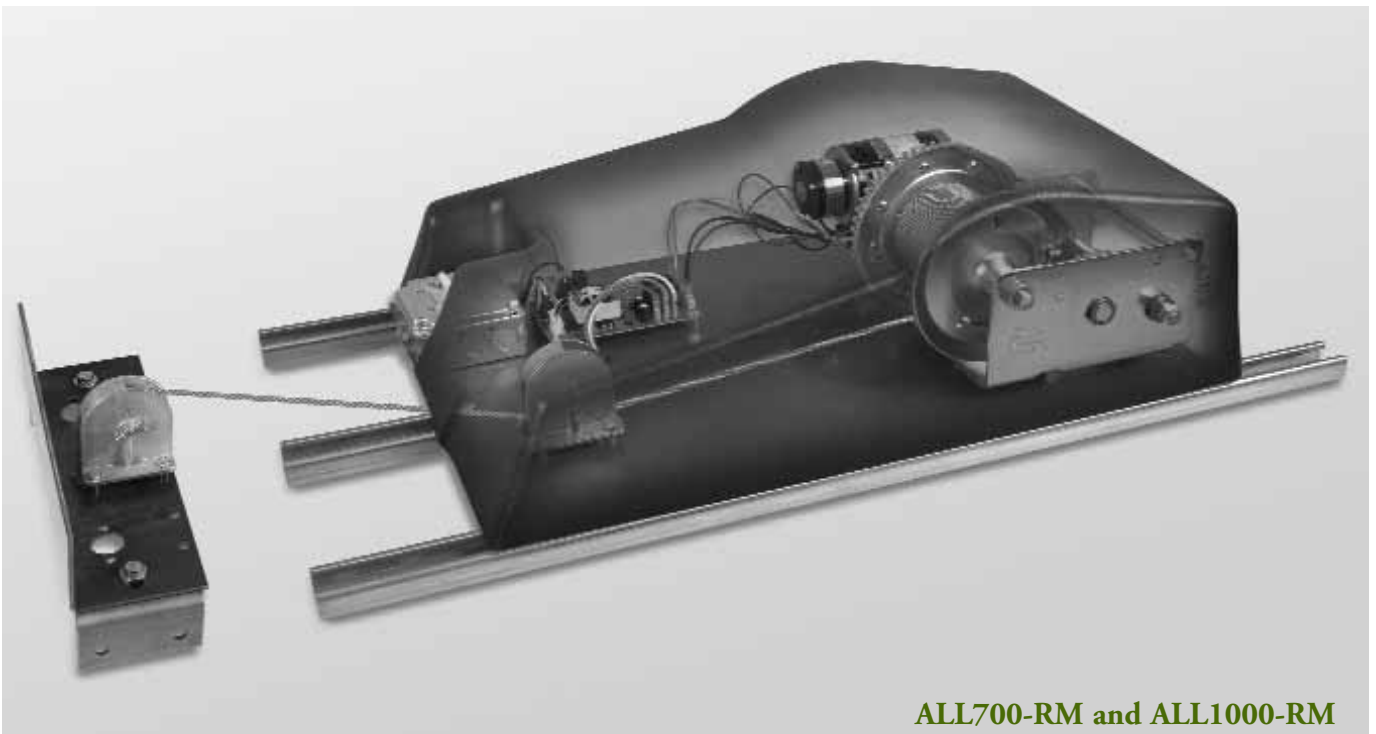
If this installation guide is needed in Spanish or French, contact Aladdin Light Lift at (877) 287-4601.

Always disconnect the power when servicing or performing maintenance to the light lift. Electricity can kill!

This installation guide is for REMOTE INSTALLATION Aladdin Light Lifts. Remote mounting options are used anytime the motor can not mount directly above the chandelier. If the light lift system does not contain the remote mounting option refer to the STANDARD INSTALLATION guide (page 9).



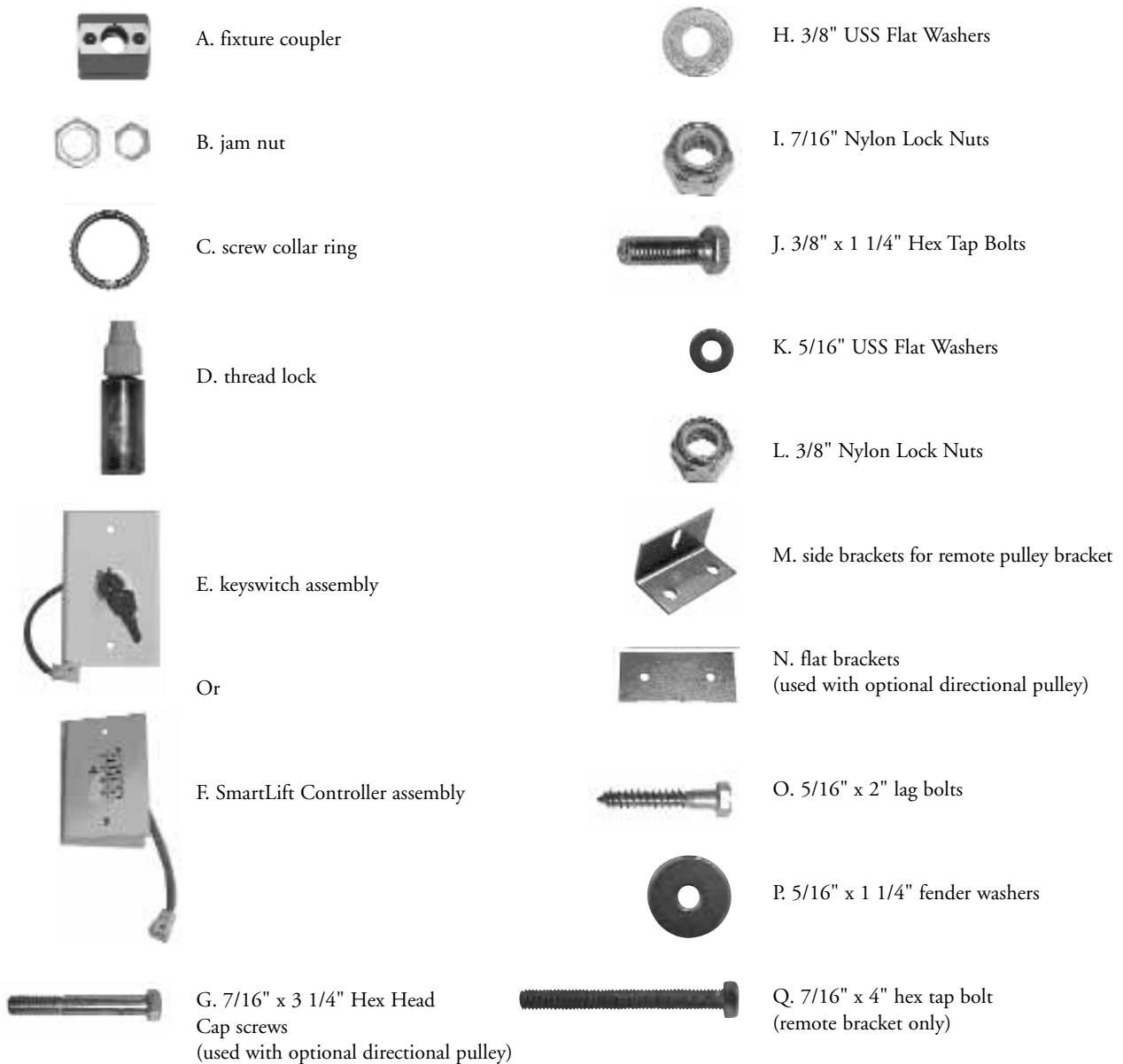
ALL200-RM and ALL300-RM



ALL700-RM and ALL1000-RM

GETTING STARTED:

1. Details regarding light wattage capacity, weight capacity, number of directional pulleys, and other options are marked on the inside cover of the owner's manual.
2. Study the 'Warnings and Safety Precautions page' in the owner's manual.
3. Read the installation instructions, study the drawings carefully, and study each part and step.
4. Make sure all needed parts are present. The remote light lift consists of channel strut, chassis plate, winch, motor, control board, pulley, winch cable, ceiling box, bottom contact plate, temporary weight, conduit assembly, fixture coupler, remote pulley bracket, and wiring. Directional pulley brackets and hardware will only be present if ordered in addition to the remote mounting option. The following items should also be included in the remote parts box, parts bag, and Keyswitch/SmartLift Controller bag:



INSTALLATION TIPS: REMOTE

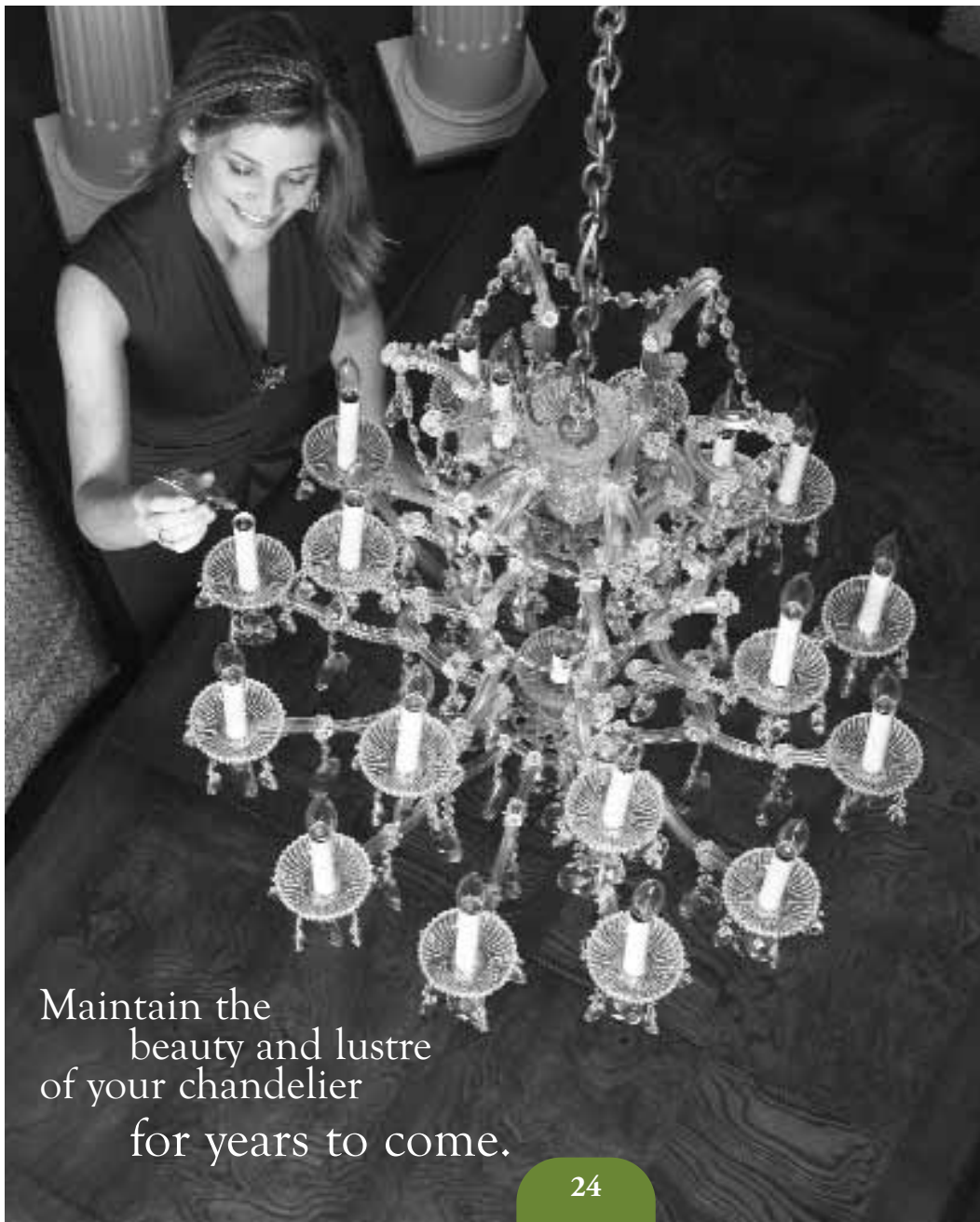
- a. The remote pulley bracket assembly, directional pulleys, and motor pulley must be installed on the same plane. The winch cable must enter and exit the center of the pulley's groove. Not doing so can cause binding and undue stress on the cable, motor, and winch. Aladdin Light Lift does not recommend making lateral direction changes with the cable.
- b. Wire the lights and motor on separate circuits. The motor draws minimal amperage so that a dedicated circuit is not necessary, but should be separate from the lights.
- c. The winch cable must be centered in the ceiling box. Check the cable's position after chandelier is installed.
- d. Never operate the light lift without tension on the winch cable.
- e. Use the permanent screw collar loop furnished with the chandelier.
- f. Light lifts being installed in commercial application must use Greenfield for the line voltage wiring. Remove the plastic cover if using in an air handling space.
- g. Aladdin Light Lift motors must be installed in accessible locations. Remote mounting options can be used for installations where the motor can not mount directly above the chandelier.
- h. Never install the light lift in ceiling heights that exceed the winch cable length. The cable length is marked on the inside cover of the owner's manual.
- i. Never fully extend the winch cable from the light lift. If the light lift is continuously run down, the cable can fully extend and start back up again reversing itself on the winch. This will cause the disc brake to be inoperative and possibly cause the fixture to fall.
- j. There are a few ways to tell if the winch cable is reversed. The ALL200-RM and ALL300-RM leaves the factory with the cable rolling off of the top of the winch. The ALL700-RM and ALL1000-RM leaves the factory with the cable rolling off of the bottom of the winch. If the cable is opposite of this, the cable is reversed. Also, if the cable is reversed, the light lift will not shut down properly when the chandelier gets to the ceiling. If the light lift doesn't make a consistent clicking or ratcheting sound while running up, the cable is reversed. Contact Aladdin Light Lift immediately if any of these situations occur.
- k. If the light lift is not operating properly, have a licensed electrician follow the troubleshooting guide found in the owner's manual. Usually, the problem can be fixed by following the troubleshooting guide. If not, have an electrician contact technical support from the light lift in the attic with two jumper wires and a volt meter. Usually, the problem can be fixed over the phone. The toll free tech support line is (877) 287-4601.

OPERATION TIPS: REMOTE

- a. Turn the chandelier off at the light switch when operating an Aladdin Light Lift.
- b. If the Keyswitch is used, hold the key to the right to run the light lift down. Let go of the key when a desired elevation is reached. Turn and hold the key to the left to run the light lift up. If installed correctly, the light lift will shut off automatically when it reaches the ceiling. At this time it is safe to turn the chandelier back on.
- c. If using a SmartLift Controller, refer to the SmartLift Controller Guide in the owner's manual. See page 7.
- d. Never fully extend the winch cable from the light lift. If the light lift is continuously run down, the cable can fully extend and start back up again reversing itself on the winch.

This will cause the disc brake to be inoperative and possibly cause the fixture to fall. The cable length is marked on the inside of the owner's manual.

- e. There are a few ways to tell if the winch cable is reversed. The ALL200-RM and ALL300-RM leaves from the factory with the cable rolling off of the top of the winch. The ALL700-RM and ALL1000-RM leaves from the factory with the cable rolling off of the bottom of the winch. If the cable is opposite of this, the cable is reversed. Also, if the cable is reversed, the light lift will not shut down properly when the chandelier gets to the ceiling. If the light lift doesn't make a consistent clicking or ratcheting sound while running up, the cable is reversed. Contact Aladdin Light Lift immediately if any of these situations occur.
- f. If the light lift is not operating properly, have a licensed electrician follow the troubleshooting guide found in the owner's manual. Usually, the problem can be fixed by following the troubleshooting guide. If not, have an electrician contact us from the light lift in the attic with two jumper wires and a volt meter. Usually, the problem can be fixed over the phone. The toll free tech support line is (877) 287-4601.

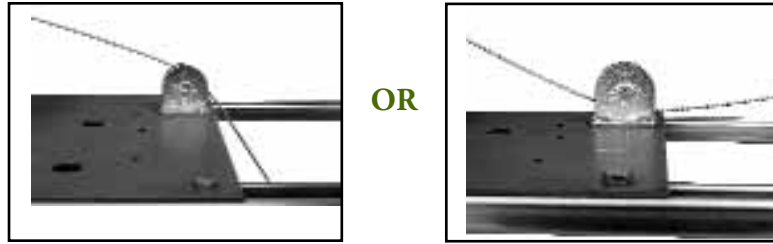


Maintain the
beauty and lustre
of your chandelier
for years to come.

STEP 1-REMOTE INSTALLATION

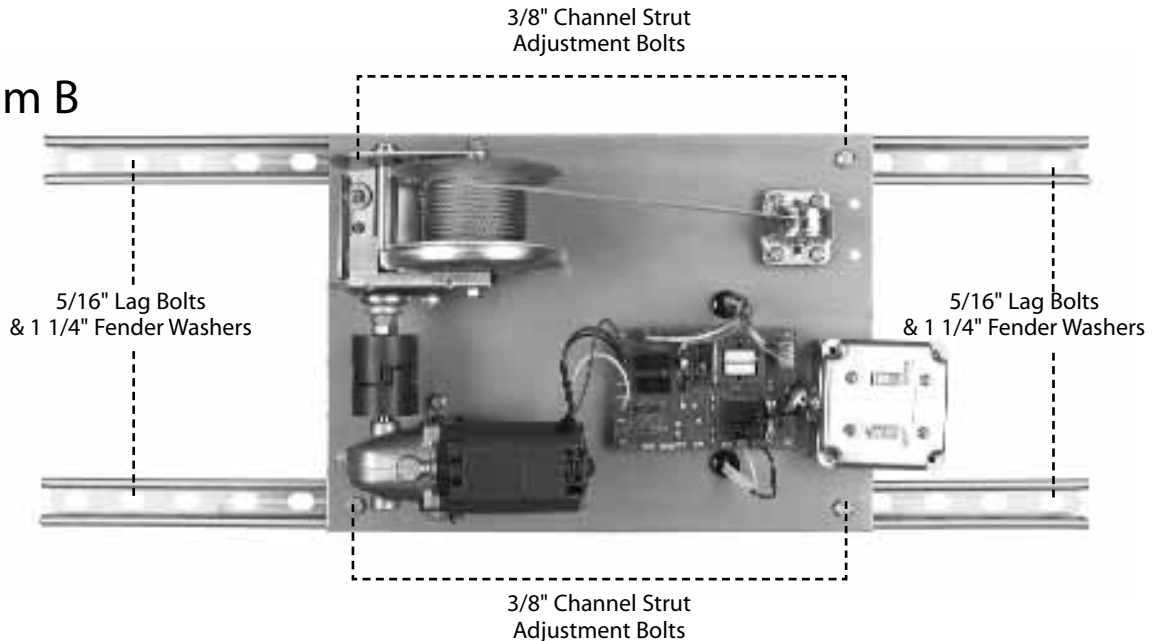
1. Take the light lift out of the box and remove the cover.
2. Determine where the light lift motor will be mounted in relation to the remote bracket pulley assembly above the chandelier or the directional pulleys.
3. If either the remote bracket pulley assembly or directional pulleys are lower in elevation than the light lift pulley, reposition the cable over the top of the light lift pulley. If the remote bracket pulley assembly or directional pulleys are level or higher in elevation than the light lift pulley, leave the winch cable position on the bottom of the light lift pulley. To change the cable position, remove the retaining clip from the pulley pin, remove the pulley pin, and remove the pulley wheel. Reinstall pulley wheel with cable on desired side.

Diagram K



4. Drill 7/32" holes and attach the light lift channel struts to the ceiling joists using the 5/16" x 2" lag bolts and 5/16" x 1 1/4" fender washers.
5. The light lift has bolts that hold it to the channel strut. These bolts may be loosened for channel strut adjustments. Retighten the bolts if this adjustment was made.

Diagram B



IMPORTANT: It is not necessary to mount the remote light lift motor level. If necessary, the light lift motor may be mounted on an angle, vertically, or upside down.

Diagram L

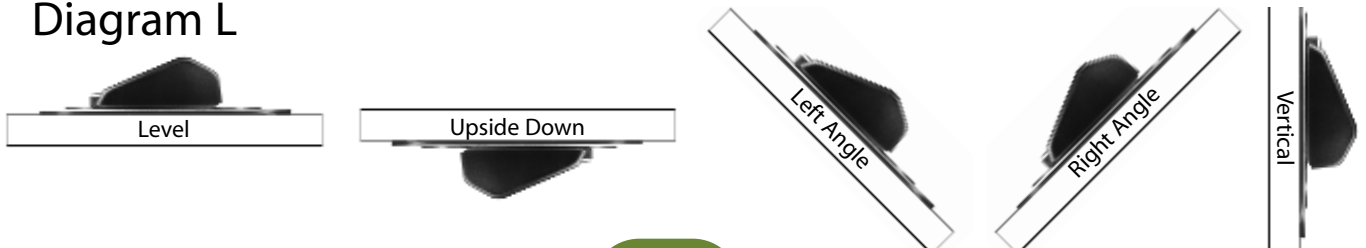


Diagram M

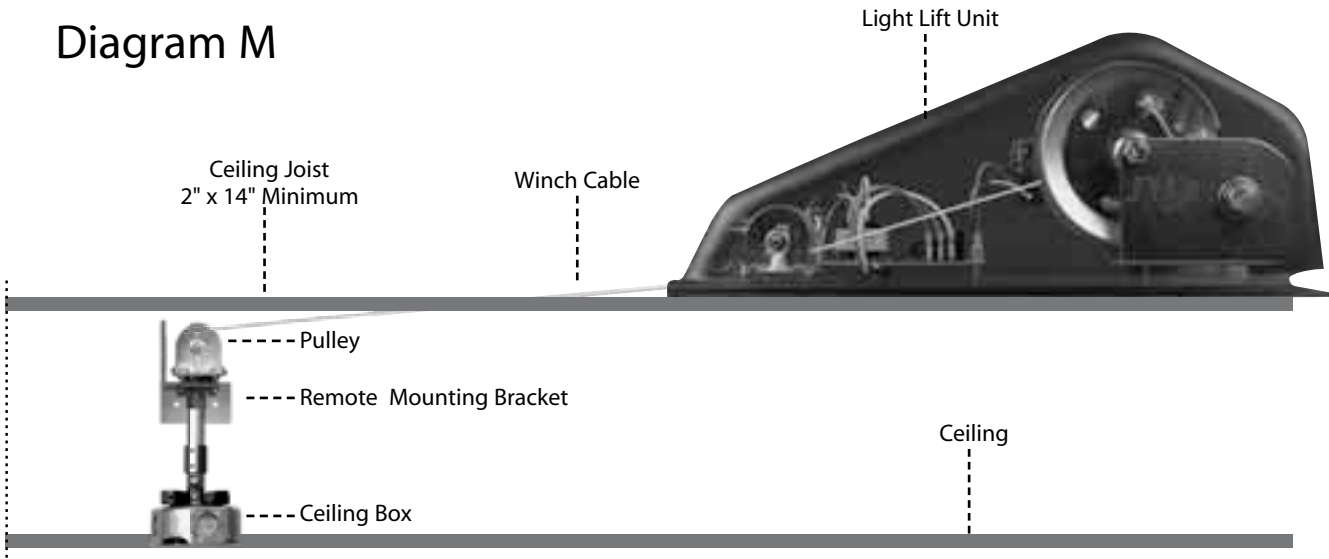


Diagram N

ALL200-RM and ALL300-RM

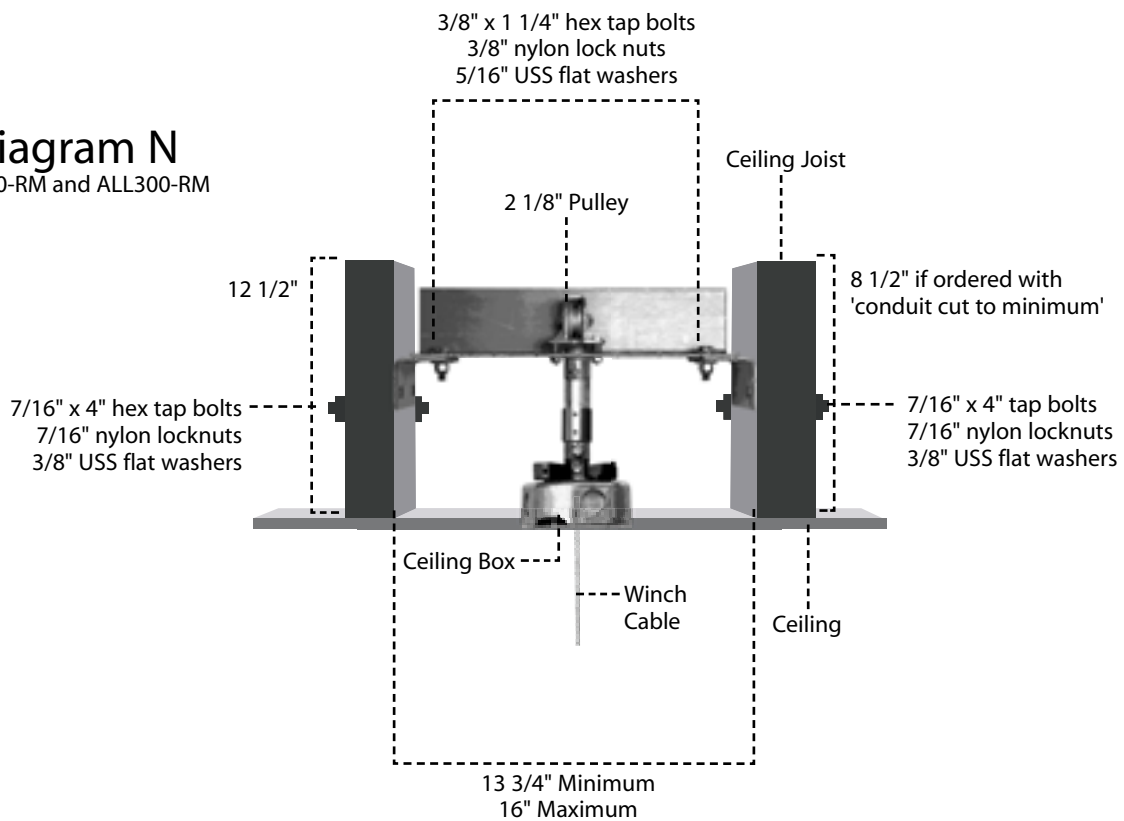
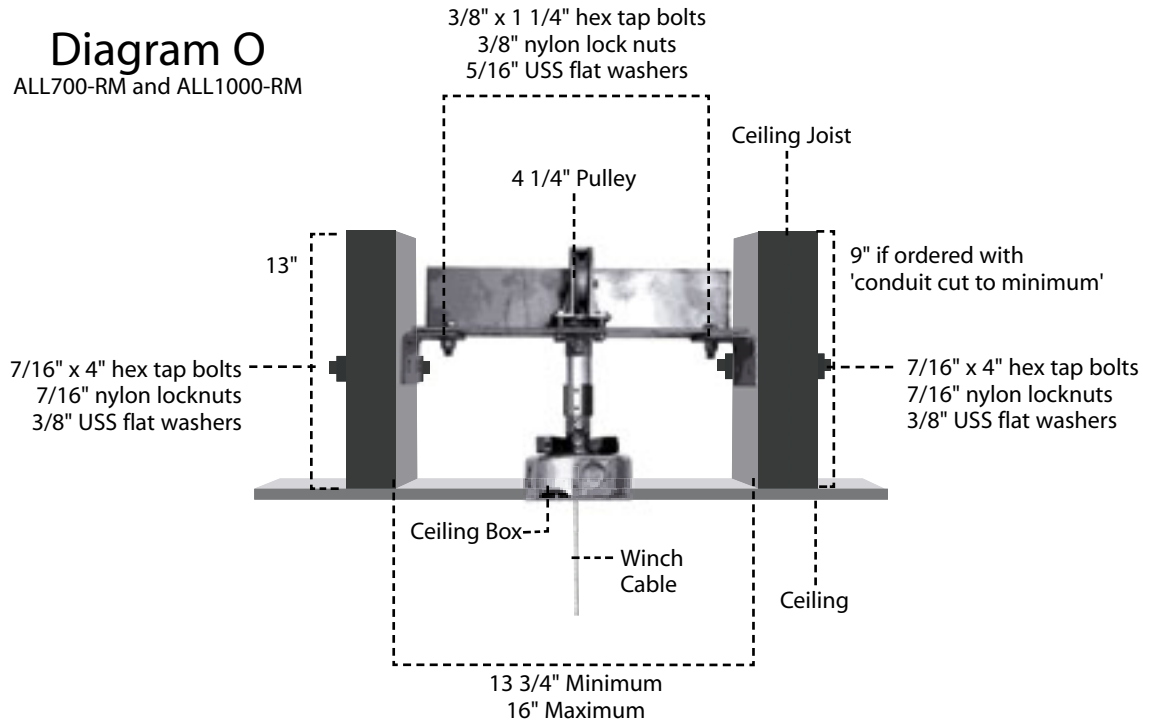


Diagram O

ALL700-RM and ALL1000-RM



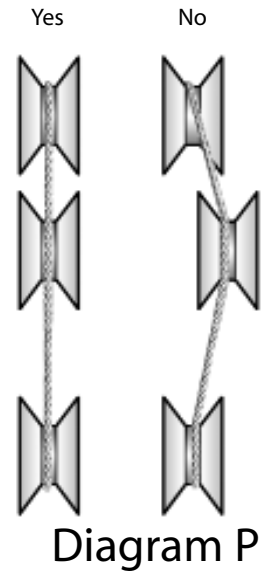
STEP 2-REMOTE INSTALLATION

1. If an existing ceiling box is present, it must be removed. Only use the ceiling box provided with the light lift.
2. Cut a 4 1/2" hole in the ceiling for the ceiling box. The hole may need to be enlarged if an existing ceiling box was removed.
3. Attach the top of the conduit assembly into the conduit connector and tighten the set screw. The connector is underneath the pulley on the remote bracket pulley assembly.
4. Attach the bottom of the conduit assembly to the ceiling box and tighten the set screw.
5. Mount the side brackets to the remote bracket pulley assembly using the 3/8" bolts, 3/8" nylon lock nuts, and the 5/16" USS flat washers.
6. Mount the remote bracket pulley assembly to the joists directly above where the chandelier will hang. Drill 1/2" holes and use the 7/16" x 4" hex tap bolts, 7/16" nylon lock nuts and 3/8" USS flat washers. The remote bracket pulley assembly must be mounted level. See SPECIAL SITUATION: REMOTE INSTALLATION 'D' if there is not enough cable present to place the remote bracket pulley assembly and directional pulleys.
7. Just because the remote bracket pulley assembly is mounted level, does not mean the winch cable is hanging through the center of the ceiling box. From the floor level, check the cable's position in the ceiling box. It should hang through the center of the top contact plate which is attached to the ceiling box. If the cable is not centered, the light lift will not shut off properly when the chandelier reaches the ceiling. Use flat washers to shim one side or the other of the large bracket until the cable hangs through the center of the ceiling box. Check cable position again, later, when chandelier is hung.

IMPORTANT: The remote bracket pulley assembly and motor pulley must be installed on the same plane. The winch cable must enter and exit the center of the pulley's groove. Not doing so can cause binding and undue stress on the cable, motor, and winch. Aladdin does not recommend lateral changes in the cable.

STEP 3-REMOTE INSTALLATION

1. Loosen the set screw on the 1/2" end of the conduit coupler using the 3/32" Allen wrench. Adjust the ceiling box up or down and retighten the set screw to make it flush with the ceiling.
This is a good starting point before hanging the chandelier on the light lift.
Note: The conduit assembly is made up of a 3/4" and 1/2" conduit held together by a conduit coupler. The two pieces of conduit are telescopic.
2. If the conduit is either too long or too short after adjusting, see SPECIAL SITUATIONS: REMOTE INSTALLATION 'C.'
3. From the floor level, check the winch cable's position in the ceiling box. It should be plumb through the center of the top contact plate which is attached to the ceiling box. If the cable is not centered, the light lift will not shut off properly when the chandelier reaches the ceiling. Remount the remote bracket pulley assembly until perfectly level. Check position again, later, when chandelier is hung.

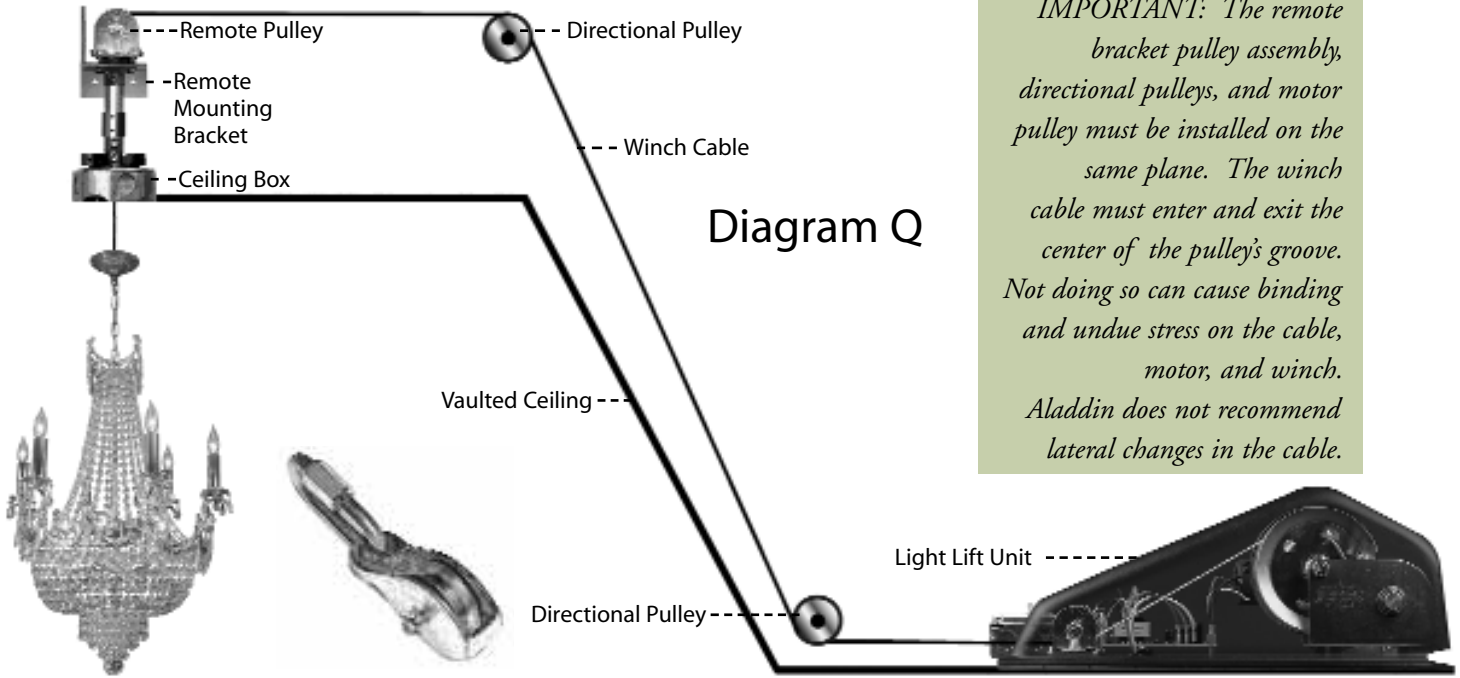


IMPORTANT: The ceiling box should not touch the inside of the 4 1/2" hole in the ceiling. The ceiling box does not support any weight of the chandelier. The tension is on the winch cable. The conduit assembly can be adjusted later to accommodate for different canopy depths. The set screw in the conduit coupler must be secure for the automatic shutoff system to work. Use the 3/32" Allen wrench for adjustments.

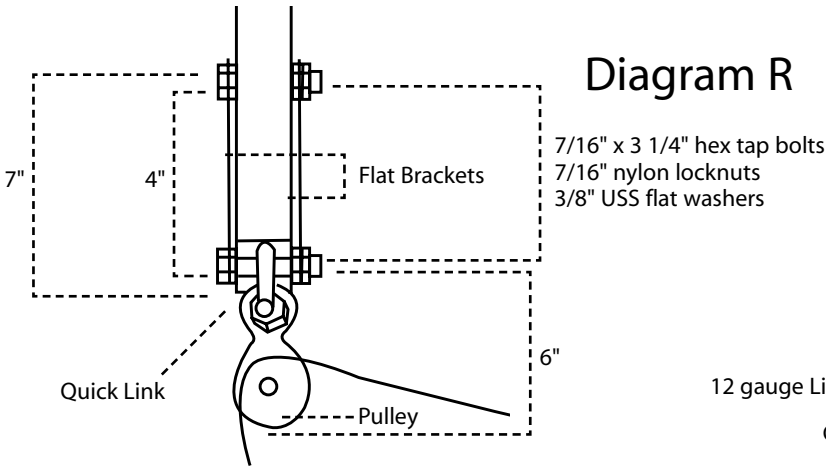
STEP 4-REMOTE INSTALLATION

Directional pulleys are needed when there is not a straight shot in the winch cable from the light lift motor to the remote bracket pulley assembly. STEP 4 is needed for the mounting of directional pulleys. If no directional pulleys are present, skip to STEP 5. If directional pulleys are needed but not present, order directional pulleys through an Aladdin Light Lift dealer and install them on the cable. Only use pulleys from Aladdin Light Lift. Do not use pulleys from any other pulley manufacturer. For directional pulley addition in the field, see SPECIAL SITUATIONS: REMOTE INSTALLATION 'E' (page 34).

1. Using the flat brackets and 7/16" bolts, washers, and nuts, install directional pulleys where needed. Drill 1/2" holes and use the 7/16" x 3 1/4" bolts, 7/16" nylon lock nuts and 3/8" USS flat washers. If necessary, block in some additional wood for the brackets.
2. Use as many directional pulleys as needed and make sure the winch cable is free of any obstructions, rubbing or binding.

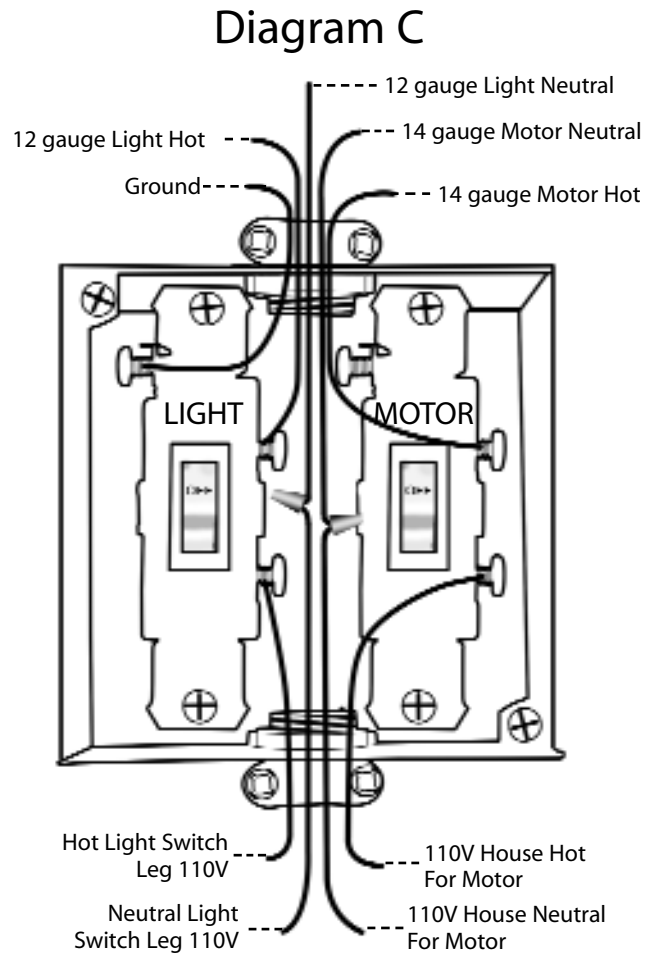


IMPORTANT: The remote bracket pulley assembly, directional pulleys, and motor pulley must be installed on the same plane. The winch cable must enter and exit the center of the pulley's groove. Not doing so can cause binding and undue stress on the cable, motor, and winch. Aladdin does not recommend lateral changes in the cable.



STEP 5-REMOTE INSTALLATION

1. Wire the motor switch in the square box with 110V house wiring. The 14 gauge wiring in the square box is for the motor. This circuit does not have to be dedicated but must be separate from the light switch leg. The motor draws 1 amp on the ALL200-RM, ALL300-RM, and ALL1000-RM. The ALL700-RM motor draws 2.5 amps.
2. Wire the light switch in the square box with the 110V light switch leg. The 12 gauge wiring in the square box is for the lights.
3. If using a dimmer switch, wire it in line

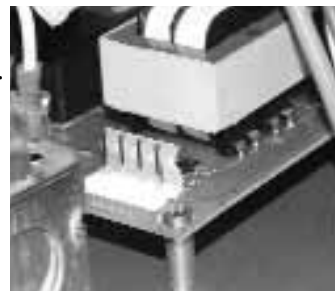
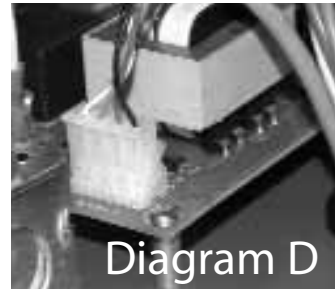


with the light switch leg. Any dimmer can be used with the light lift as long as the motor feed is kept separate from the light switch leg.

IMPORTANT: *Keep the neutral wires separate in the square box.*

STEP 6-REMOTE INSTALLATION

1. Make sure there is tension on the winch cable. The five pound weight provided with the lift is sufficient for this test.
2. Remove the paper tape from the winch. This tape was applied to keep the cable neat on the winch during manufacturing and shipping.
3. Make sure the winch cable is not kinked or coming off the side of the winch spool.
4. Turn on motor switch in the square box on the front of the lift.
5. Remove the low voltage control wire from the front of the control board. Use a jumper wire on the exposed pins to test the unit in both directions. Jumper between the COM and DOWN pins to test the down direction and COM and UP pins to test the up direction.
6. Proceed to STEP 7 if the light lift runs in both directions. If not, see the troubleshooting section of the owner's manual on page 37 and 38.



STEP 7-REMOTE INSTALLATION

1. After testing the light lift, plug the low voltage control wire back onto the control board and reattach the light lift's cover.
2. Run the 50' low voltage control wire to a single gang box for the keyswitch or optional SmartLift Controller. This can be on the floor level or on a landing. The chandelier must be visible from this location.
3. If a Keyswitch is being used, attach it to the cover plate using the supplied nut. Plug the Keyswitch or SmartLift Controller to the control wire that was pulled through the single gang box. Use the supplied cover plate screws to attach Keyswitch or SmartLift Controller to the gang box.
4. If using a Keyswitch, test the light lift in both directions. First turn right to run down for a few inches. Then turn left to run up until the light lift turns itself off at the ceiling.
5. If using a SmartLift Controller, see the SmartLift Controller Guide to run the light lift to the HOME POSITION.

IMPORTANT: *If installing the light lift before the ceiling has been painted, leave the light lift in the "UP" position. This will prevent paint from getting on the top contact plate. A painted contact plate will not allow the chandelier to light.*

STEP 8-REMOTE INSTALLATION

1. Using either the Keyswitch or the SmartLift Controller, run the light lift down to a desired elevation to hang the chandelier. Remember, if using the SmartLift Controller, you must enable the controller before running the light lift. See the SmartLift Controller Guide in the owner's manual.
2. Remove the temporary five pound weight from the fixture coupler. Hold the winch cable to keep tension at all times. Do not operate the light lift without the chandelier or the temporary five pound weight attached.
3. Thread the screw collar loop that was supplied with the chandelier to the fixture coupler. If hanging a stem hung chandelier, simply thread the stem into the fixture coupler. For the ALL200 and ALL300, a 1/4 x 1/4 IPS fixture coupler is attached to the bottom contact plate. If a 1/4 x 3/8 IPS fixture coupler is needed, one is present in the parts bag. For the ALL700 and ALL1000, a 3/8 x 3/8 IPS fixture coupler is attached to the bottom contact plate. If a 3/8 x 1/2 IPS fixture coupler is needed, one is present in the parts bag.
4. Attach the chandelier's canopy to the screw collar loop using screw collar rings on both top and bottom. An extra screw collar ring is supplied in the parts bag.
5. Adjust the chandelier's chain to the desired length and attach it to the screw collar loop.
6. The top of the canopy should be just below the edge of the bottom contact plate. For shallow canopies, it may be necessary to shorten the nipple that attaches the screw collar loop to the fixture coupler. If necessary adjust the elevation of the ceiling box to flush the canopy to the ceiling.

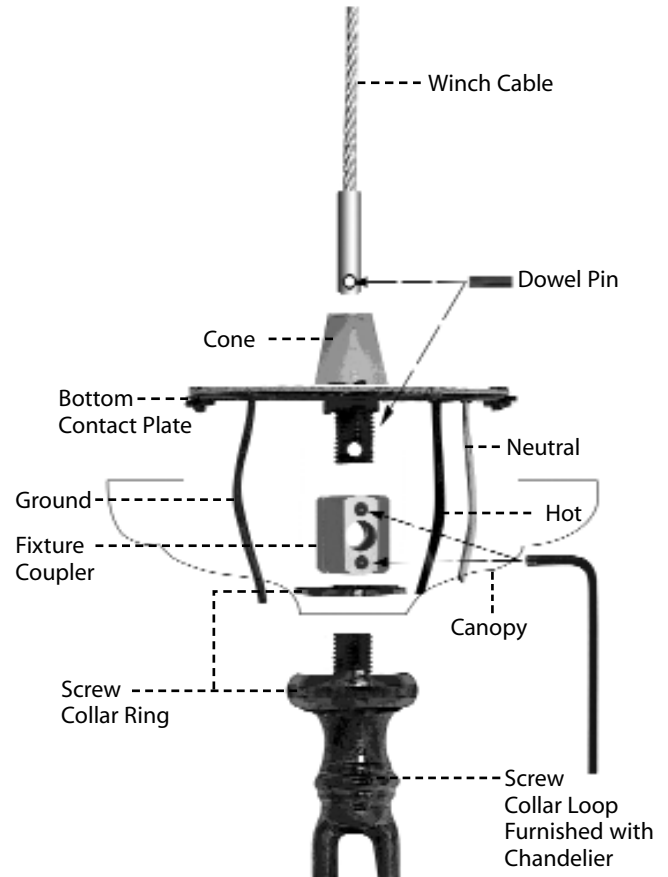


Diagram E



Use the set screw on the conduit coupler to adjust elevation. Also, a ceiling medallion can be used to build in more depth as well.

7. Once the canopy orientation is finalized, loosen the bottom screw collar ring.
8. Run the chandelier's wires up through the screw collar ring, canopy, and screw collar loop. Pull them through the holes in the fixture coupler and wire nut them to the wires on the bottom contact plate. Wire the chandelier's hot wire to the black wire, the neutral wire to the white wire, and the ground wire to the green wire.
9. Replace the canopy and rethread the bottom screw collar ring to hold the canopy in place.
10. Once everything is set in place, use the 3/32" Allen wrench to tighten the set screws on the fixture coupler. These set screws have thread lock already applied at the factory.
11. Once the set screws are tightened, apply the supplied thread lock to all of the fittings from the bottom contact plate to the screw collar loop.

IMPORTANT: Some screw collar loops are made out of weak materials and not designed to hold substantial amounts of weight. If the screw collar loop supplied with the chandelier is not used, make sure the one used is suitable.

IMPORTANT: Make sure the canopy will not touch the ceiling before the contact plates join together.

STEP 9-REMOTE INSTALLATION

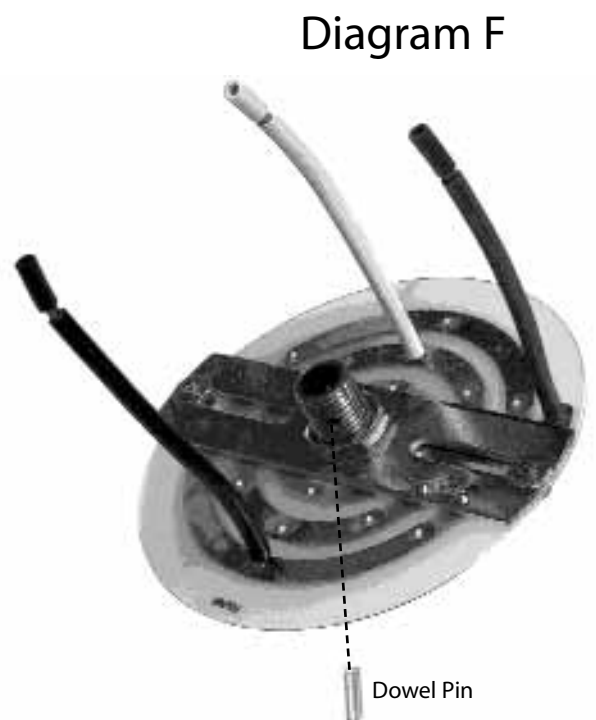
1. Run the chandelier to the ceiling and enjoy!
2. Take comfort in the fact that when a bulb is out or the chandelier needs a little cleaning, just lower it using the Aladdin Light Lift.

SPECIAL SITUATIONS: REMOTE INSTALLATION

Special situations may occur during the remote light lift installation. The following instructions show some of these situations and how to handle them.

A. DOWEL PIN, WINCH CABLE, BOTTOM CONTACT PLATE ASSEMBLY

Occasionally, a chandelier may hang in line with a ceiling joist, or the conduit assembly must be lengthened or shorted. For a remote installation, the winch cable may need to be extended for pulley mounting or running the cable through ceiling joists. This requires removing and reinstalling the temporary five pound weight, fixture coupler, bottom contact plate assembly, ceiling box, and conduit assembly, and remote bracket pulley assembly from the end of the cable. To do this, remove the



dowel pin from the end of the cable and bottom contact plate assembly. The following directions explain how to do so safely:

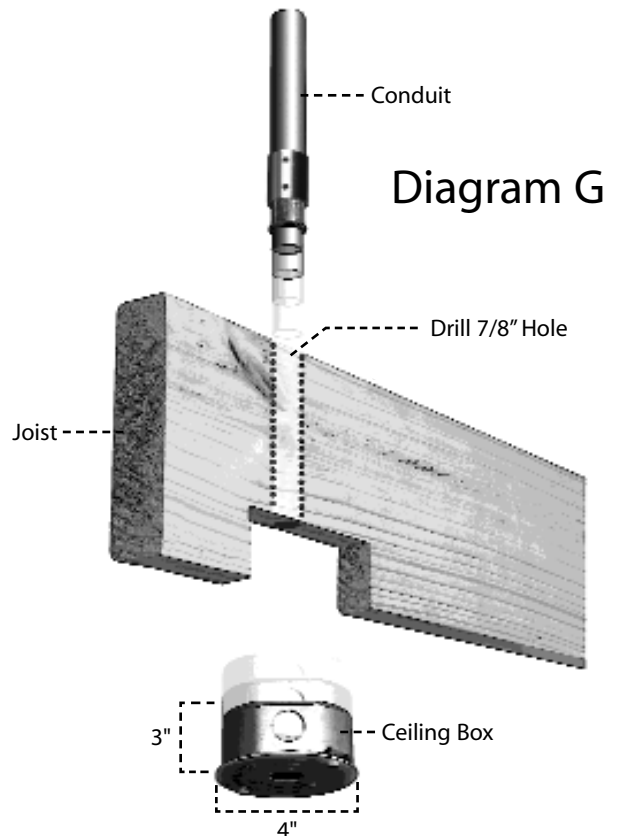
1. Remove the temporary five pound weight from the fixture coupler.
2. Remove the fixture coupler from the nipple on the bottom contact plate.
3. A small dowel pin holds the end of the winch cable to the nipple on the bottom contact plate.
4. Remove the dowel pin to release the bottom contact plate, ceiling box, and conduit assembly. Make sure the large (tapered) end of the dowel pin comes out first.
5. If installing a light lift where you are hanging a chandelier inline with a ceiling joist, see SPECIAL SITUATIONS: REMOTE INSTALLATION 'B.'
6. If installing a light lift where the conduit assembly must be extended or shortened, see SPECIAL SITUATIONS-REMOTE INSTALLATION 'C.'
7. Once completed either SPECIAL SITUATIONS: REMOTE INSTALLATION 'B' and/or 'C,' reinstall the remote bracket pulley assembly, conduit assembly, ceiling box, bottom contact plate assembly, fixture coupler, and temporary five pound weight.
8. Make sure the dowel pin is inserted with the small end (non-tapered) first and is flush with both sides of the nipple. Thread the fixture coupler over the dowel pin.

IMPORTANT: *If the dowel pin is lost during this process, DO NOT attempt to replace it with anything but another dowel pin from Aladdin Light Lift.*

B. CHANDELIER INLINE WITH A CEILING JOIST

Occasionally a light lift must be installed with the chandelier hanging in line with a ceiling joist. The following directions explain how to make this work with an Aladdin Light Lift:

1. Drill a 7/8" hole and notch out the bottom of the joist 3" for the ceiling box.
2. Run the smaller end of the conduit through the hole.
3. Frame up the remote bracket pulley assembly to account for the added height of the extended conduit.
4. To make this installation work, remove the dowel pin from the bottom contact plate. See SPECIAL SITUATIONS: REMOTE INSTALLATION 'A' for removing and replacing the dowel pin in the bottom contact plate.



C. LENGTHEN OR SHORTEN THE CONDUIT ASSEMBLY

The light lift comes standard with a conduit assembly that adjusts from nine to fourteen inches. This measurement is from the bottom of the chassis plate to the bottom of the ceiling box.

Ceiling joists or another situation may require extending or shortening the conduit assembly. The following directions explain how to do so:

1. Measure the required length for the conduit assembly.
2. See SPECIAL SITUATIONS-REMOTE INSTALLATION 'A' and remove the temporary five pound weight, fixture coupler, bottom contact plate assembly, ceiling box, conduit assembly, and remote bracket pulley assembly from the end of the winch cable.
3. Replace the included conduit pieces with the newly cut conduit pieces but use the original conduit coupler.
4. See SPECIAL SITUATIONS-REMOTE INSTALLATION 'A' for reassembly.

D. EXTEND CABLE FOR REMOTE INSTALLATIONS

There may be a time during a remote installation where extending the winch cable length or running the cable through joists is necessary. And doing so would be easier without the bottom contact plate, ceiling box, conduit assembly, and remote bracket pulley assembly attached to the end of the cable. To remove these parts and extend the cable, follow these simple yet important directions:

1. Remove the dowel pin to release the bottom contact plate, ceiling box, conduit assembly, and remote bracket pulley assembly attached to the end of the winch cable.
See SPECIAL SITUATIONS: REMOTE INSTALLATION 'A' for proper pin removal.
2. Apply temporary 110V to the switch in the square box labeled 'motor.' Attach the neutral to the white 14 gauge wire in the square box. Unplug the low voltage control wire and jumper between the COM and DOWN pins. This will run the light lift down to extend the winch cable out for an easier installation. Try to keep as much tension on the cable as possible during this procedure. Also, when doing this, do not unplug any wires from the ceiling box to the circuit board. If the limit switch wire was unplugged, MAKE SURE to reattach them correctly before closing up the ceiling. (page 37 and 39)
3. Once the desired length of winch cable is acquired, reassemble the remote bracket pulley assembly, conduit assembly, ceiling box, and bottom contact plate. See SPECIAL SITUATIONS: REMOTE INSTALLATION 'A' for proper pin reinstallation.

IMPORTANT: Not reinstalling the pin correctly can cause a safety hazard. If not confident that the pin is reinstalled properly, DO NOT hang the chandelier!

E. ADDING DIRECTIONAL PULLEY(S) IN REMOTE INSTALLATIONS

Add directional pulleys to an Aladdin Light Lift safely by following these directions:

1. Remove the dowel pin to release the bottom contact plate, ceiling box, conduit assembly, and remote bracket pulley assembly attached to the end of the winch cable.
See SPECIAL SITUATIONS: REMOTE INSTALLATION 'A' for proper pin removal.
2. Slide directional pulley(s) on the winch cable over the directional pulley wheel.
3. Reassemble the remote bracket pulley assembly, conduit assembly, ceiling box, and bottom contact plate. See SPECIAL SITUATIONS: REMOTE INSTALLATION 'A' for proper pin reinstallation.

IMPORTANT: Not reinstalling the pin correctly can cause a safety hazard. If not confident that the pin is reinstalled properly, DO NOT hang the chandelier.