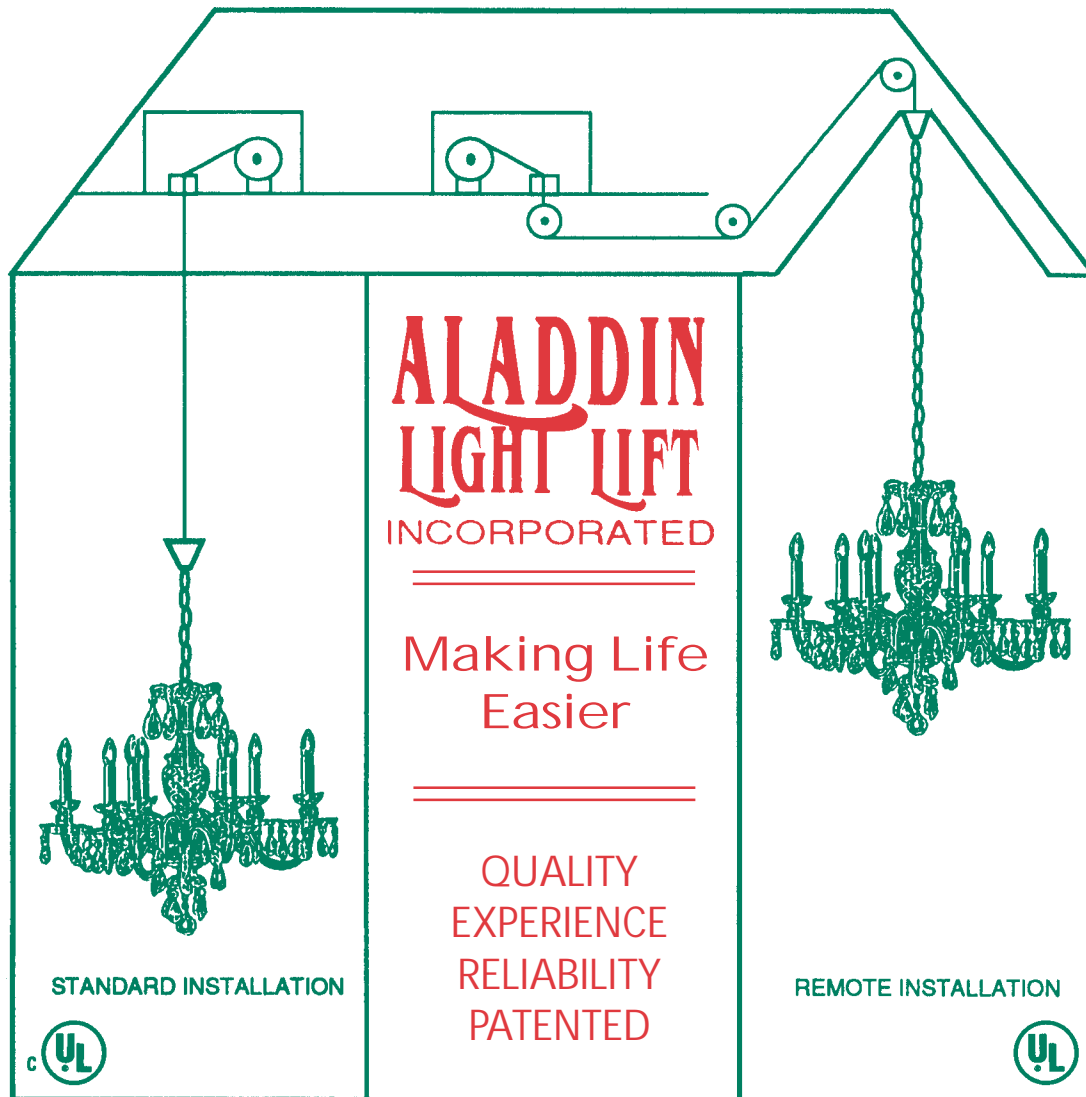


# ALADDIN LIGHT LIFT

“The Original Light Lift System”



## Automatically Lowers Your Chandelier... For Easy Cleaning or Bulb Changing

The Aladdin Light Lift is a motorized lift system for your chandelier. Now, the beauty of your chandelier can be easily maintained as cleaning and changing of bulbs can be done by anyone...anytime.

Dangerous ladders and expensive cleaning services are things of the past as chandeliers are quickly and safely lowered within easy reach from the floor.

The Aladdin Light Lift is neatly tucked away in the area above the ceiling, so there's no visible indication of the system.

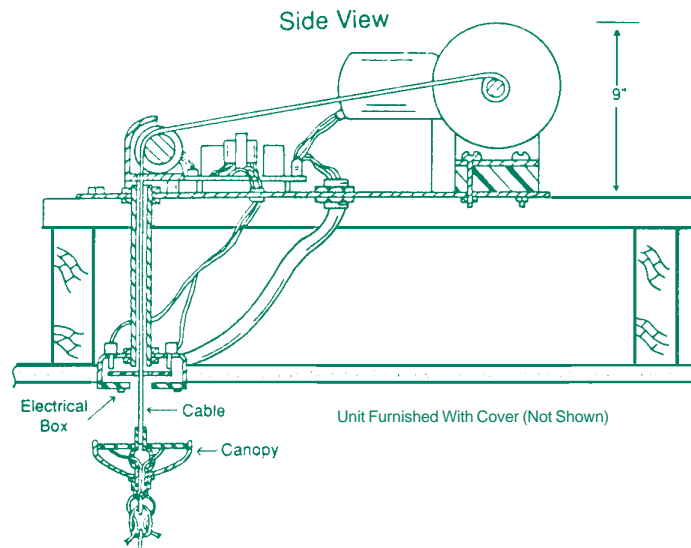
It is the simple solution to every hard-to-reach chandelier.

# ***FEATURES***

## ***Easy to Install...***

The Aladdin Light Lift is neatly tucked away in the area above the ceiling, so there's no visible indication of the system.

Installation by a licensed electrician is simple, including both new construction and existing houses. And, once in place, the chandelier can be installed at floor level safely and economically.



<b>MODEL</b>	<b>DIMENSIONS</b>	<b>WEIGHT</b>
ALL200	14 x 19 x 9 High	47 lb.
ALL300	14 x 19 x 9 High	47 lb.
ALL700	18 x 24 x 9 High	83 lb.
ALL1000	18 x 24 x 9 High	93 lb.

## ***Safety Benefits***

Independently tested...

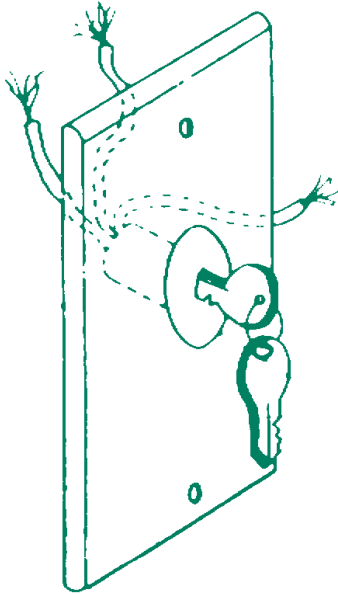
UL & CUL Listed (ALL1000 Pending)

Each model is equipped with two separate independent locking systems to securely hold the light fixture.

For maximum safety, electrical current to the chandelier is automatically disconnected while the chandelier is lowered. There's no risk of electrical shock while cleaning or changing bulbs.

# FEATURES

## *Just Turn The Key*

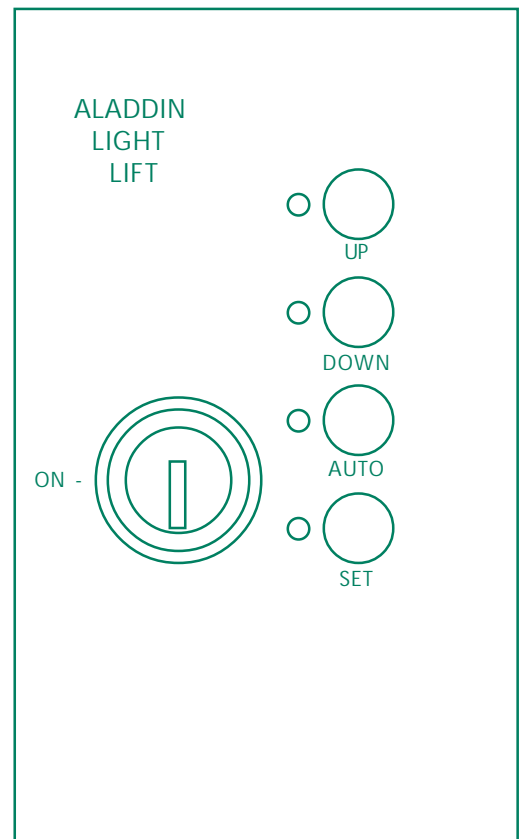


The Aladdin Light Lift comes with a special key switch which can be conveniently installed in any new or existing wall. The key switch is child resistant and prevents accidental activation of the light lift. The chandelier lowers by simply inserting the key and turning the switch. Releasing the key stops the chandelier at the height you choose. It's that easy.

## *Programmable Key Switch*

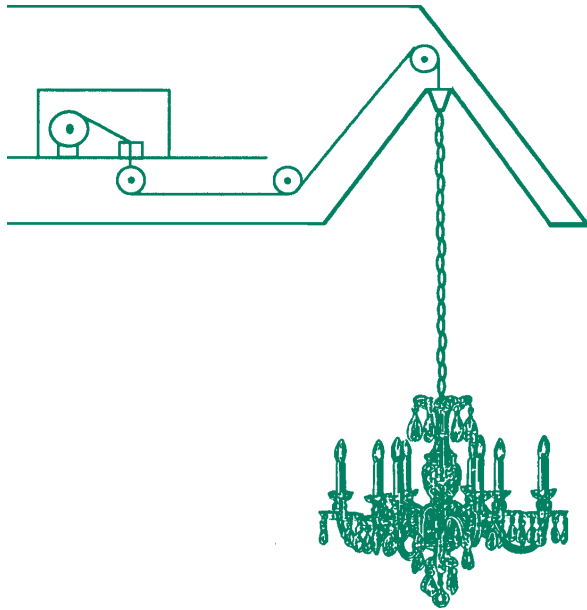
Designed to automatically raise and lower the Aladdin Light Lift without holding the keyswitch. It can be automatically programmed to stop at any desired height above the floor. It automatically shuts off at the ceiling without being programmed.

- \*\* Standard on 700 lb. models
- \*\* Special Order for 200 and 300 lb. models.



## ***FEATURES***

***A convenient feature for new  
or existing construction...  
ALADDIN LIGHT LIFT!***



***No Access?...  
Aladdin Has the  
Solution!***

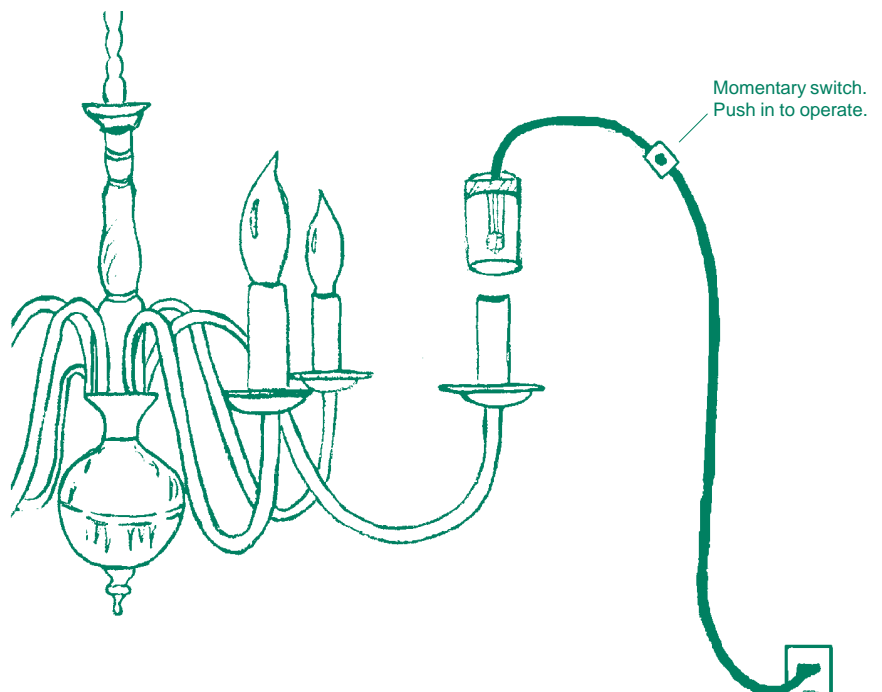
Aladdin's special order units come with a unique system of cables, brackets, and pulleys allow for vaulted ceilings or mounting where no direct access is available above the chandelier. This option must be ordered with the unit and installed at the factory.

***A convenient feature for new  
or existing construction...  
ALADDIN LIGHT LIFT!***

## ***Relamping Cord***

To Operate: Screw out one bulb. Remove the end cap and screw the metal chandelier base inside the plastic tube down into the chandelier socket. Plug the relamping cord into an extension cord and plug into a wall outlet. This will relight all the bulbs in the chandelier at floor level.

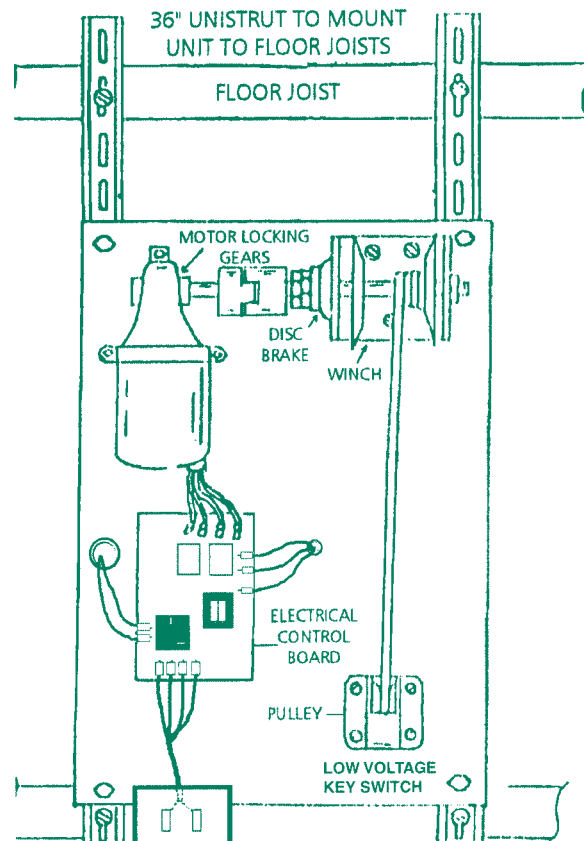
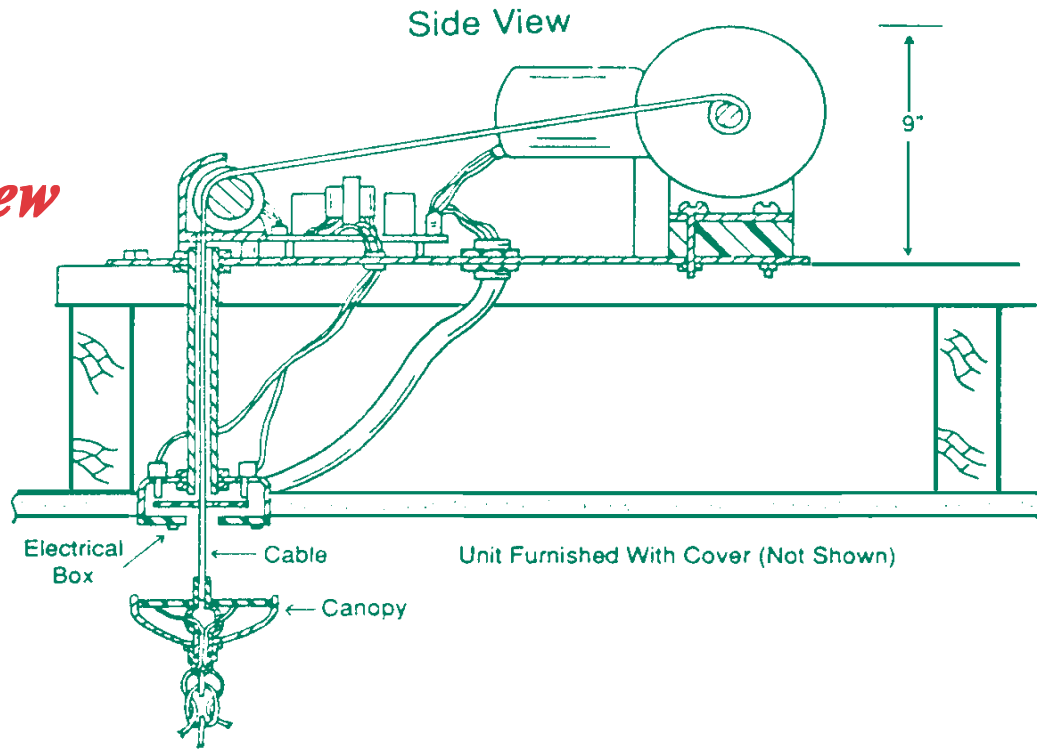
CAUTION: This is a temporary relamping source. Do not use this cord to permanently light a chandelier.



# ***SIDE VIEW AND TOP VIEW***

**ALADDIN  
LIGHT LIFT  
INCORPORATED**

***Side View***



***Top View***

# FEATURES

## Designed For Years of Trouble-Free Operation

The Aladdin Light Lift is designed for years of trouble-free operation. The patented system has been rigorously tested and uses the latest technology for electrical components and gearing mechanism. Even heavy chandeliers are no problem for the Aladdin Light Lift.

For maximum safety, electrical current to the chandelier is automatically disconnected while the chandelier is lowered. There's no risk of electrical shock while cleaning or changing bulbs.

Yet with all this convenience and reliability, the Aladdin Light Lift is a surprisingly affordable companion for your chandelier.

### INSTALLATION

The system is easily installed for new or existing applications. Remote installation possibilities\* allow for vaulted ceilings or mounting where no access is available above the fixture. Installation by a licensed electrician is simple, since the system uses existing wiring. The light fixture can be installed at floor level. (\*special order)

### EASE OF USE

The Aladdin Light Lift comes with a special key switch which can be conveniently installed in any new or existing wall. The key switch is child resistant and prevents accidental activation of the light lift. The chandelier lowers by simply inserting the key and turning the switch. Releasing the key stops the chandelier at the height you choose. It's that easy!

### SAFETY

The unit is equipped with two separate independent locking systems to securely hold the light fixture. Lowering the fixture disengages the electrical contact to avoid any risk of electrical shock. The child resistant key switch prevents accidental tampering.

### FEATURES

Models	Max. Lifting Capacity	Standard Wattage
ALL200	200 lbs.	1560 watts*
ALL300	300 lbs.	1560 watts*
ALL700	700 lbs.	2200 watts*
ALL1000	1000 lbs.	2200 watts*
<b>*Optional Wattage</b>	2200 watt - 1 circuit maximum 3300 watt - 2 circuit maximum 4400 watt - 2 circuit maximum	
<b>Dimmer Switch</b>	Dimmer switch (not included) may be used as long as the motor is wired separately from the lights	
<b>Relamping Cord Option</b>	Relights chandelier at floor level	
<b>Cable Length</b>	35' Standard 65', 90', & 120' Optional	
<b>Patented System</b>	Made in USA	

#### LIMITED 1 YEAR WARRANTY

The Aladdin Light Lift is backed by a full 1-year limited warranty on all parts and components.